

Spare parts list

(1.524-910.0) HD 7/18-4 M *EU-I

Table of contents

| | |
|---|----|
| HD 7/18-4 M *EU-I (1.524-910.0) | 4 |
| Spare parts list HD 7/18-4 M *EU-I (5.974-250.0) | 5 |
| 10 Housing | 6 |
| 10 Cover cleaning agents complete (4.060-866.0) | 8 |
| 20 Pump set | 10 |
| 21 Cylinder head | 11 |
| 5 Suction cover complete (4.064-005.0) | 13 |
| 9 Pressure gauge complete (4.423-024.0) | 14 |
| 10 Valve (3 Stueck) (2.884-512.0) | 15 |
| 16 Valve screw (4.483-001.0) | 17 |
| 27 Nozzle insert complete (4.769-052.0) | 19 |
| 28 Valve seat complete (4.481-226.0) | 20 |
| 32 Spare part set (2.884-551.0) | 22 |
| 33 Spare part set overflow valve (2.884-550.0) | 23 |
| 37 Valve complete (4.580-594.0) | 24 |
| 100 Spare parts set pump high-pressure 7/18 (2.884-883.0) | 26 |
| 3 Valve (3 Stueck) (2.884-512.0) | 27 |
| 22 Thrust guidance | 29 |
| 7 Spare part set piston complete (4.553-245.0) | 31 |
| 100 Pump set for piston HD 7/18 M (2.885-020.0) | 32 |
| 14 Valve screw (4.483-001.0) | 33 |
| 30 Motor | 35 |
| 31 Transmission | 36 |
| Motor complete (4.623-711.0) | 38 |
| 6 Piece of tube | 39 |
| 32 Ventilation | 40 |
| Motor complete (4.623-711.0) | 42 |
| 6 Piece of tube | 43 |
| 40 Accessories | 44 |
| 41 EASY!Force Advanced (4.118-005.0) | 46 |
| 1 Hand trigger gun TR EH 155 | 47 |
| 9000 Spare part set lever (2.885-483.0) | 49 |
| 42 Hose assembly TR rotatable DN6 25MPa 10m (6.110-035.0) | 51 |
| 1 Hose assembly TR rotatable DN6 25MPa 10m | 52 |
| 43 Jet pipe TR 1050 mm (4.112-000.0) | 54 |
| 1 Jet pipe TR 1050 mm | 55 |
| 44 Triple jet nozzle TR 042 (4.117-034.0) | 57 |
| 1 Triple jet nozzle TR 042 | 58 |

Table of contents

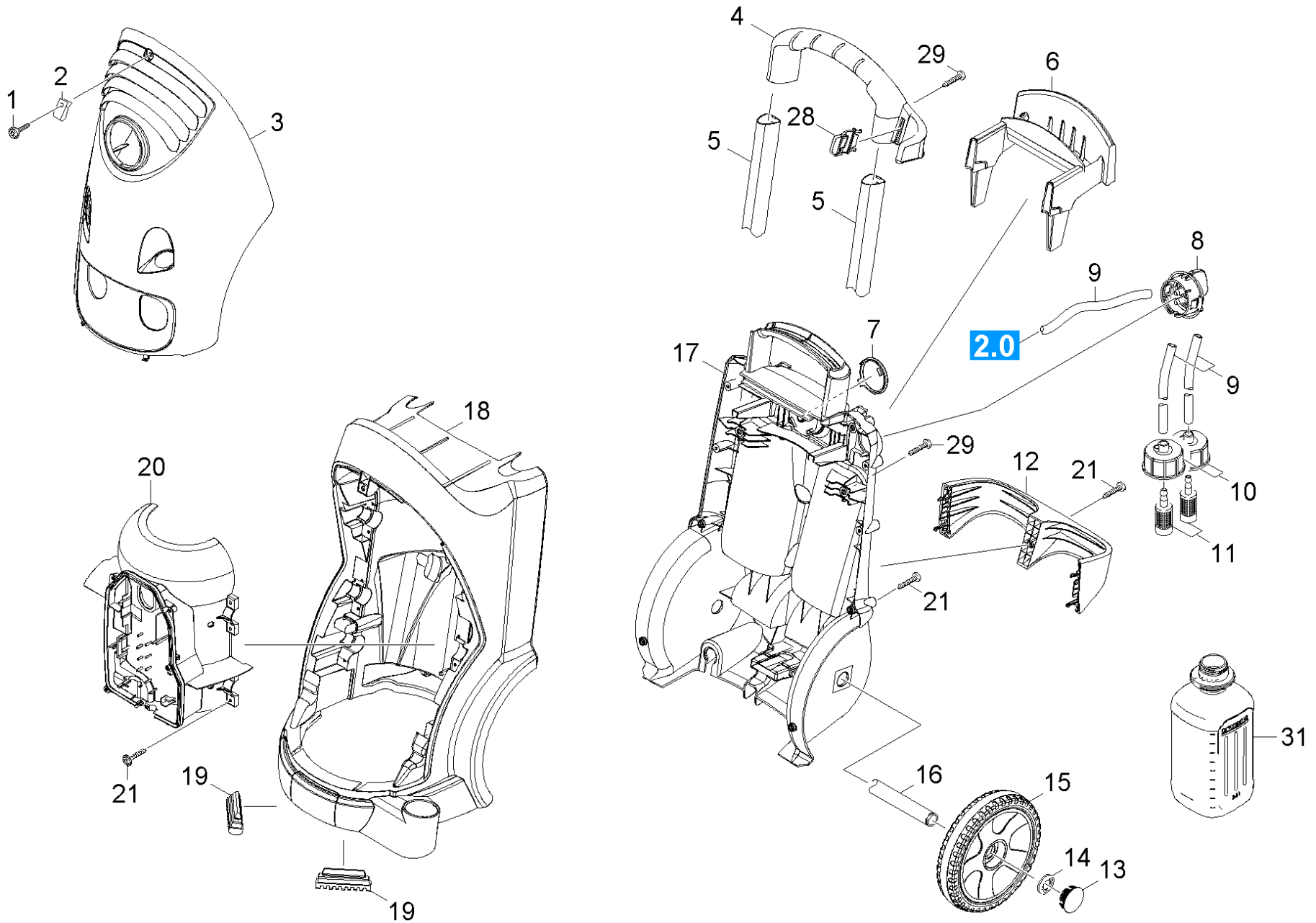
| | |
|--|----|
| 45 Rotary controller TR 270L (4.118-007.0) | 60 |
| 1 Rotary controller TR 270L | 61 |
| 50 Electric box | 63 |
| 1040 Short spare parts list | 65 |

HD 7/18-4 M *EU-I (1.524-910.0)

| POS | Article no. | Description | Quantity | Unit |
|------------|--------------------|------------------------------------|-----------------|-------------|
| 1040 | | Short spare parts list | 1.000 | ST |
| 0 | 5.974-250.0 | Spare parts list HD 7/18-4 M *EU-I | 1.000 | ST |

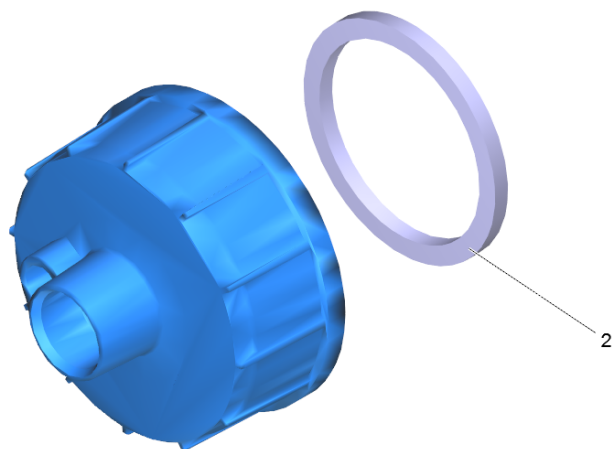
Spare parts list HD 7/18-4 M *EU-I (5.974-250.0)

| POS | Description | Quantity | Unit |
|------------|--------------------|-----------------|-------------|
| 40 | Accessories | 1.000 | ST |
| 50 | Electric box | 1.000 | ST |
| 10 | Housing | 1.000 | ST |
| 30 | Motor | 1.000 | ST |
| 20 | Pump set | 1.000 | ST |



10 Housing

| POS | Article no. | Description | Quantity | Unit | Foot note text |
|-----|-------------|---------------------------------------|----------|------|-----------------------|
| 20 | 5.692-075.0 | Air circulation | 1.000 | ST | |
| 16 | 5.105-413.0 | Axle | 1.000 | ST | |
| 5 | 5.107-262.0 | Bar | 2.000 | ST | |
| 31 | 6.394-491.0 | Bottle PE 2,5 L | 2.000 | ZST | |
| 14 | 6.343-217.0 | Clamping washer D25 | 2.000 | ST | |
| 10 | 4.060-866.0 | Cover cleaning agents complete | 2.000 | ST | |
| 3 | 4.069-025.0 | Cover HD Basis/Mittelklasse Anthrazit | 1.000 | ST | |
| 7 | 5.032-475.0 | Covering cap cover | 1.000 | ST | |
| 11 | 5.731-652.0 | Filter with weight | 2.000 | ST | |
| 18 | 5.050-258.3 | Frame front part | 1.000 | ST | |
| 17 | 5.050-431.0 | Frame rear panel | 1.000 | ST | |
| 4 | 5.321-751.0 | Handhold | 1.000 | ST | |
| 6 | 5.044-735.0 | Holder | 1.000 | ST | |
| 28 | 5.044-216.0 | Holder | 1.000 | ST | |
| 9 | 6.388-216.0 | Hose DN 5 | 1.000 | M | TO ORDER AS CUT GOODS |
| 8 | 4.580-645.0 | Proportioning valve chemistry | 1.000 | ST | |
| 2 | 6.310-053.0 | Putting nut | 1.000 | ST | |
| 12 | 5.032-747.0 | Retaining bracket | 1.000 | ST | |
| 1 | 6.304-099.0 | Saucer-head screw M 6x 18-4.8-R2R | 1.000 | ST | |
| 21 | 7.303-108.0 | Screw 5x20 -10.9-R2R (In6Rd) | 19.000 | ST | |
| 29 | 7.303-048.0 | Screw M6x20 -St-R3R (In6Rd) | 8.000 | ST | |
| 13 | 2.889-086.0 | Set wheel cap | 1.000 | ST | SET OF 2 PIECES |
| 19 | 5.057-062.0 | Support | 2.000 | ST | |
| 15 | 4.515-320.0 | Wheel complete | 1.000 | ST | SET OF 2 PIECES |

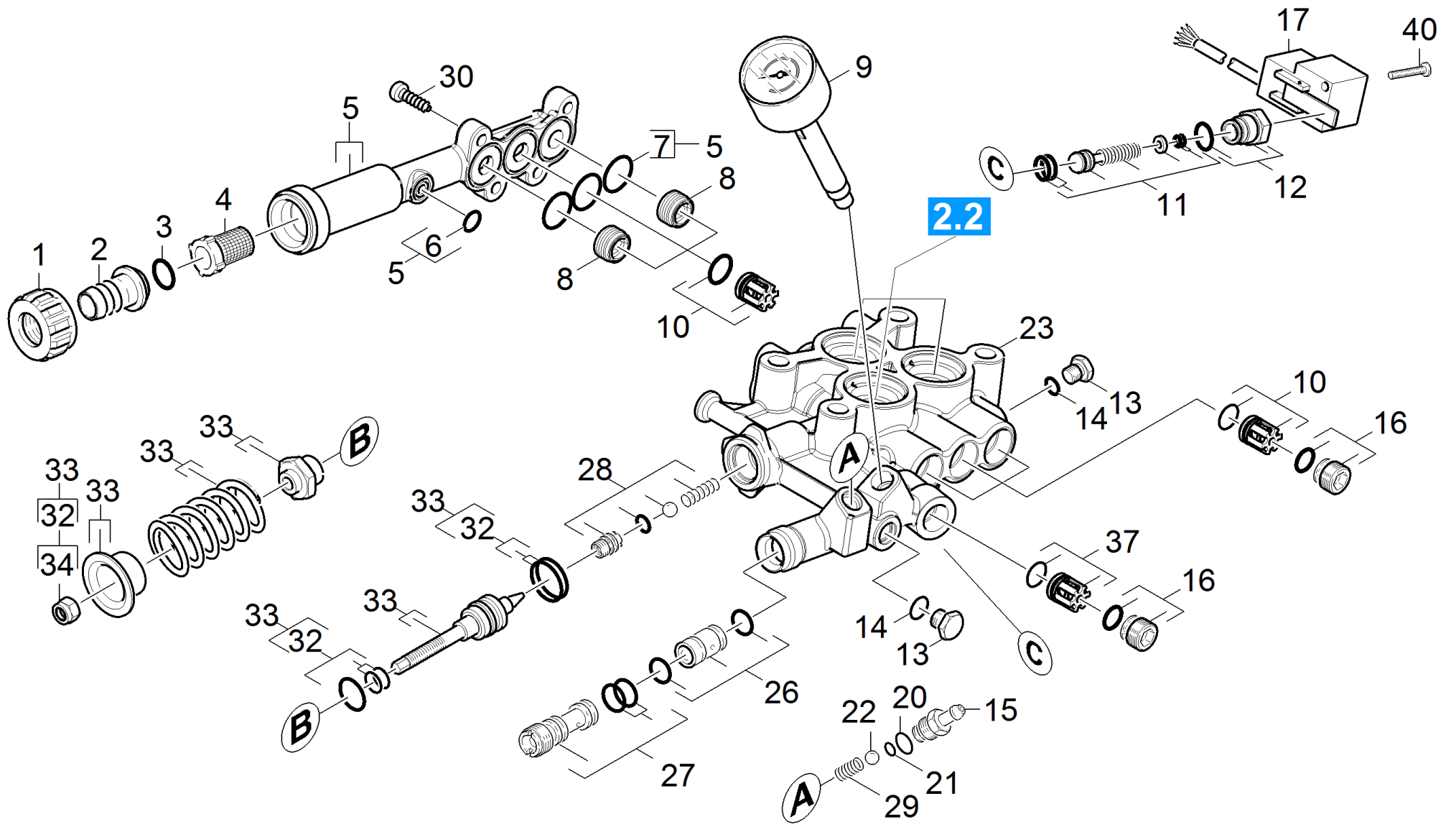


10 Cover cleaning agents complete (4.060-866.0)

| POS | Article no. | Description | Quantity | Unit |
|------------|--------------------|--------------------|-----------------|-------------|
| 2 | 6.363-304.0 | Seal | 1.000 | ST |

20 Pump set

| POS | Description | Quantity | Unit |
|------------|--------------------|-----------------|-------------|
| 21 | Cylinder head | 1.000 | ST |
| 22 | Thrust guidance | 1.000 | ST |



21 Cylinder head

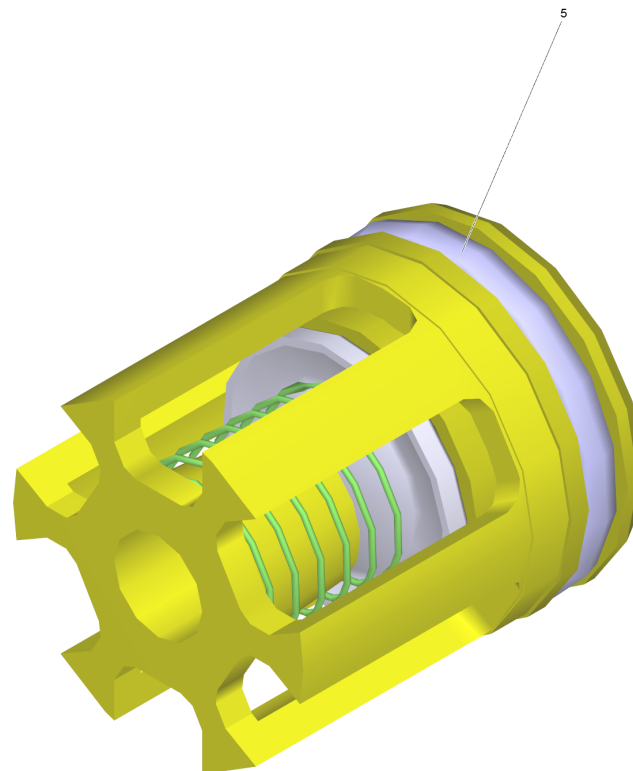
| POS | Article no. | Description | Quantity | Unit |
|-----|-------------|---|----------|------|
| 17 | 6.635-493.0 | 2-Phases-Switch | 1.000 | ST |
| 23 | 4.550-035.0 | Cylinder head replacement | 1.000 | ST |
| 29 | 5.332-258.0 | Helical spring | 1.000 | ST |
| 34 | 7.311-510.0 | Hexagon nut M 8-8-A2E ISO 7040 | 1.000 | ST |
| 2 | 5.443-291.0 | Hose stem | 1.000 | ST |
| 15 | 5.443-624.0 | Nipple | 1.000 | ST |
| 27 | 4.769-052.0 | Nozzle insert complete | 1.000 | ST |
| 1 | 5.310-076.0 | Nut | 1.000 | ST |
| 21 | 6.363-597.0 | O-Ring seal 5,28 x 1,78 | 1.000 | ST |
| 14 | 6.362-690.0 | O-Ring seal 7x2 - NBR 70 | 2.000 | ST |
| 20 | 6.362-690.0 | O-Ring seal 7x2 - NBR 70 | 1.000 | ST |
| 6 | 6.362-388.0 | O-Ring seal 8,0x1,5 -EPDM 70 | 1.000 | ST |
| 3 | 6.362-161.0 | O-Ring seal 19,3 X 2,4 | 1.000 | ST |
| 7 | 6.363-536.0 | O-Ring seal 21x1,5 | 3.000 | ST |
| 40 | 7.306-320.0 | Oval head screw M 5x40-A2-70 ISO 7045 | 1.000 | ST |
| 9 | 4.423-024.0 | Pressure gauge complete | 1.000 | ST |
| 30 | 7.306-118.0 | Screw M 6x35 -8.8-R3R (In6Rd) | 4.000 | ST |
| 13 | 5.411-070.0 | Screw plug | 2.000 | ST |
| 32 | 2.884-551.0 | Spare part set | 1.000 | ST |
| 11 | 2.884-869.0 | Spare part set control piston | 1.000 | ST |
| 12 | 4.411-011.0 | Spare part set HD 7/18 M | 1.000 | ST |
| 26 | 2.884-853.0 | Spare part set nozzle insert | 1.000 | ST |
| 33 | 2.884-550.0 | Spare part set overflow valve | 1.000 | ST |
| 100 | 2.884-883.0 | Spare parts set pump high-pressure 7/18 | 1.000 | ST |
| 22 | 7.401-908.0 | Sphere 7 G300 -1.4301 DIN 5401 | 1.000 | ST |
| 4 | 6.414-141.0 | Strainer | 1.000 | ST |
| 5 | 4.064-005.0 | Suction cover complete | 1.000 | ST |
| 10 | 2.884-512.0 | Valve (3 Stueck) | 1.000 | ST |
| 37 | 4.580-594.0 | Valve complete | 1.000 | ST |
| 16 | 4.483-001.0 | Valve screw | 4.000 | ST |
| 8 | 5.583-177.0 | Valve screw M20x1 | 3.000 | ST |
| 28 | 4.481-226.0 | Valve seat complete | 1.000 | ST |

5 Suction cover complete (4.064-005.0)

| POS | Article no. | Description | Quantity | Unit |
|------------|--------------------|--------------------------------------|-----------------|-------------|
| 4 | 6.590-002.0 | Bag PE 150x230 mm | 1.000 | ST |
| 5 | 6.376-036.0 | Label spare parts neutrally 65x55 MM | 1.000 | ZST |
| 3 | 6.362-388.0 | O-Ring seal 8,0x1,5 -EPDM 70 | 1.000 | ST |
| 2 | 6.363-536.0 | O-Ring seal 21x1,5 | 3.000 | ST |

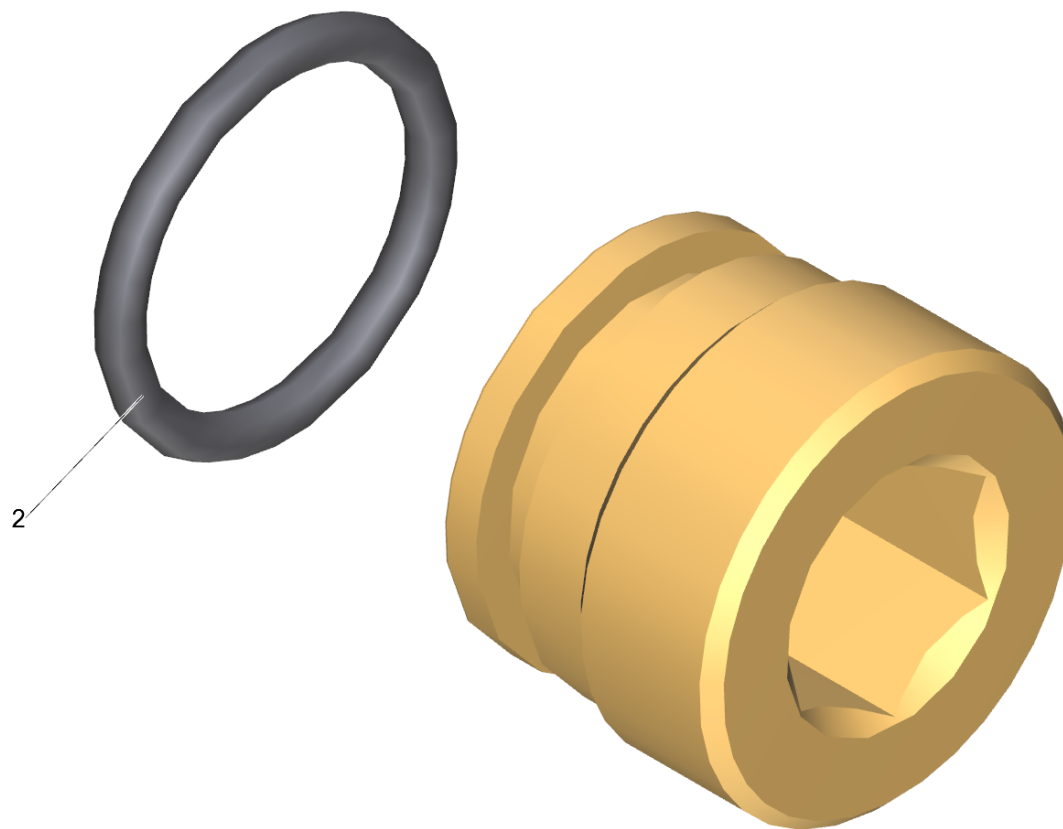
9 Pressure gauge complete (4.423-024.0)

| POS | Article no. | Description | Quantity | Unit |
|------------|--------------------|--------------------------------------|-----------------|-------------|
| 3 | 6.376-036.0 | Label spare parts neutrally 65x55 MM | 2.000 | ZST |



10 Valve (3 Stueck) (2.884-512.0)

| POS | Article no. | Description | Quantity | Unit |
|-----|-------------|-------------------------------|----------|------|
| 5 | 6.363-003.0 | O-Ring seal 13,0 X 2,0-NBR 90 | 1.000 | ST |

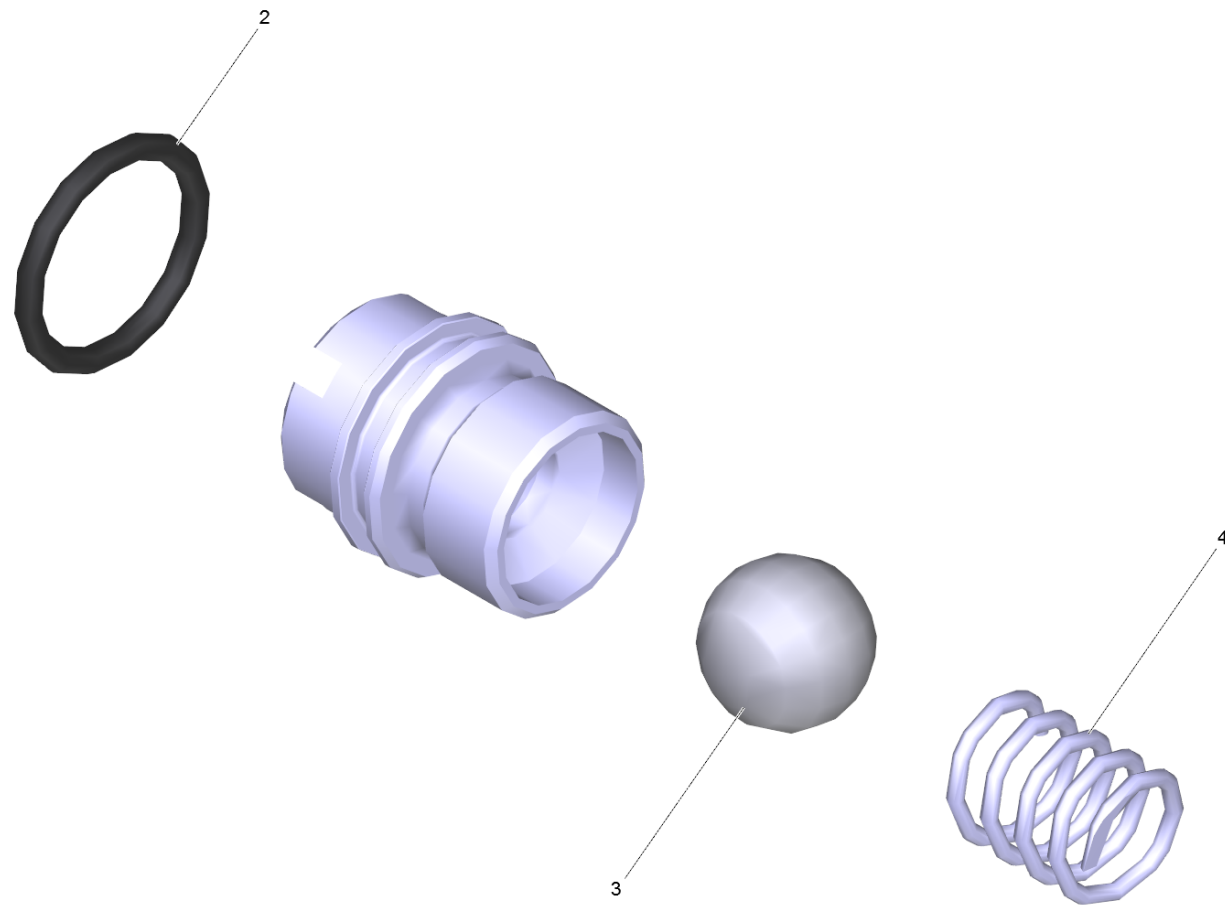


16 Valve screw (4.483-001.0)

| POS | Article no. | Description | Quantity | Unit |
|------------|--------------------|-------------------------------|-----------------|-------------|
| 2 | 6.362-481.0 | O-Ring seal 14,0 x 2,0 NBR 80 | 1.000 | ST |

27 Nozzle insert complete (4.769-052.0)

| POS | Article no. | Description | Quantity | Unit |
|------------|--------------------|--------------------------------------|-----------------|-------------|
| 3 | 6.590-004.0 | Bag PE 80x100 mm | 1.000 | ST |
| 4 | 6.376-036.0 | Label spare parts neutrally 65x55 MM | 1.000 | ZST |
| 1 | 5.769-087.0 | Nozzle insert black PVDF | 1.000 | ST |
| 2 | 6.363-331.0 | O-Ring seal 9,0 x 1,5 | 2.000 | ST |



28 Valve seat complete (4.481-226.0)

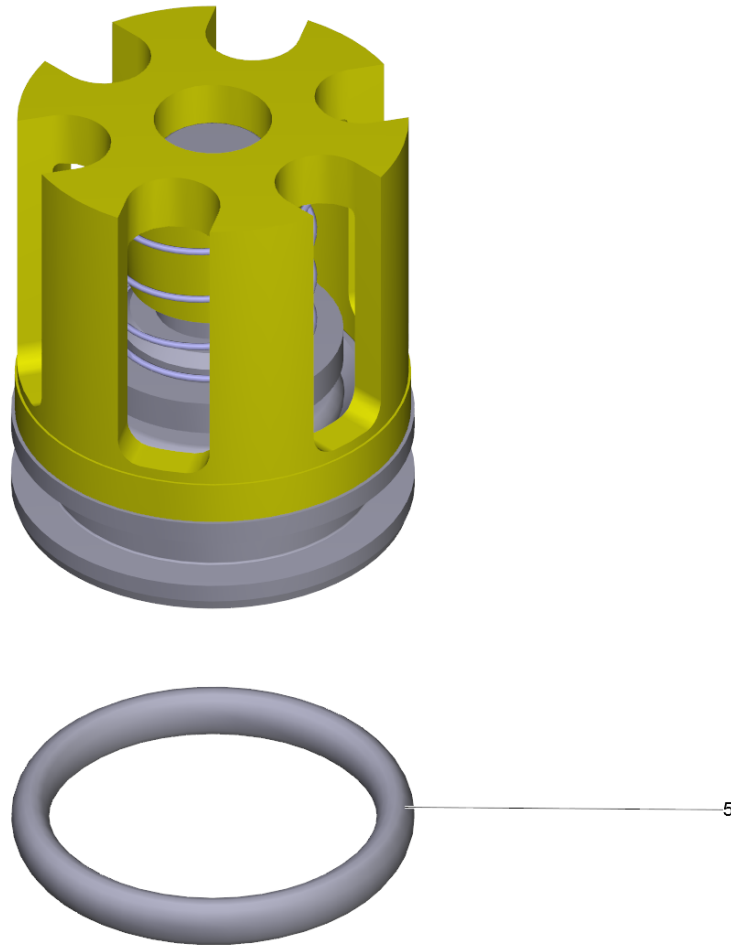
| POS | Article no. | Description | Quantity | Unit |
|------------|--------------------|---------------------------------|-----------------|-------------|
| 4 | 5.332-999.0 | Helical spring | 1.000 | ST |
| 2 | 6.362-858.0 | O-Ring seal 11,0 X 1,5 | 1.000 | ST |
| 3 | 7.401-907.0 | Sphere 3/8 G200-1.4301 DIN 5401 | 1.000 | ST |

32 Spare part set (2.884-551.0)

| POS | Article no. | Description | Quantity | Unit |
|------------|--------------------|---|-----------------|-------------|
| 71 | 7.311-510.0 | Hexagon nut M 8-8-A2E ISO 7040 | 1.000 | ST |
| 101 | 6.376-036.0 | Label spare parts neutrally 65x55 MM | 2.000 | ZST |
| 47 | 6.362-575.0 | O-Ring seal 12,42 KOMPL | 1.000 | ST |
| 46 | 6.362-445.0 | O-Ring seal 16,0 X 2,4-NBR 80 | 1.000 | ST |
| 44 | 6.362-365.0 | O-Ring seal complete 1ST.-R.- 7,65X 1,7 | 1.000 | ST |

33 Spare part set overflow valve (2.884-550.0)

| POS | Article no. | Description | Quantity | Unit |
|-----|-------------|---|----------|------|
| 7 | 5.112-757.0 | Bush | 1.000 | ST |
| 145 | | Grease | 0.010 | G |
| 16 | 5.332-530.0 | Helical spring | 1.000 | ST |
| 71 | 7.311-510.0 | Hexagon nut M 8-8-A2E ISO 7040 | 1.000 | ST |
| 151 | 6.376-036.0 | Label spare parts neutrally 65x55 MM | 2.000 | ZST |
| 47 | 6.362-575.0 | O-Ring seal 12,42 KOMPL | 1.000 | ST |
| 46 | 6.362-445.0 | O-Ring seal 16,0 X 2,4-NBR 80 | 1.000 | ST |
| 44 | 6.362-365.0 | O-Ring seal complete 1ST.-R.- 7,65X 1,7 | 1.000 | ST |

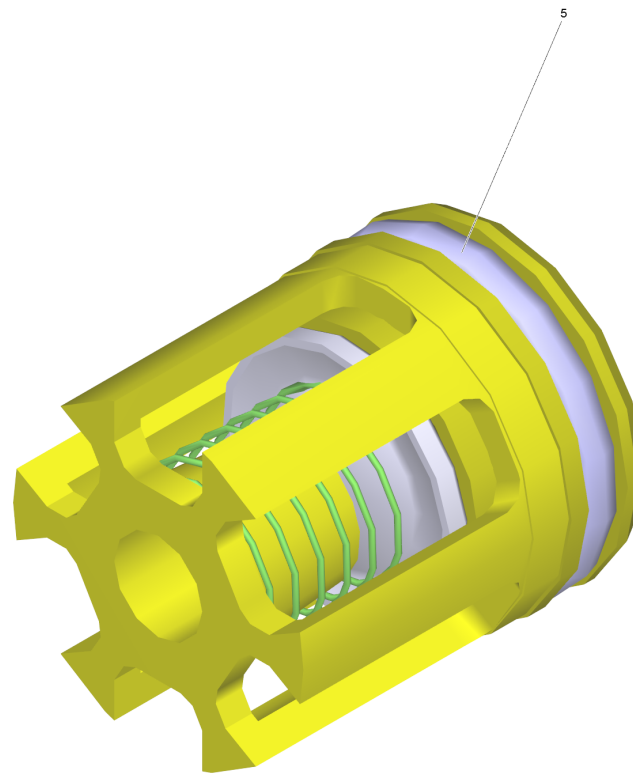


37 Valve complete (4.580-594.0)

| POS | Article no. | Description | Quantity | Unit |
|------------|--------------------|---------------------------|-----------------|-------------|
| 5 | 6.362-381.0 | O-Ring seal 13x2 - NBR 70 | 1.000 | ST |

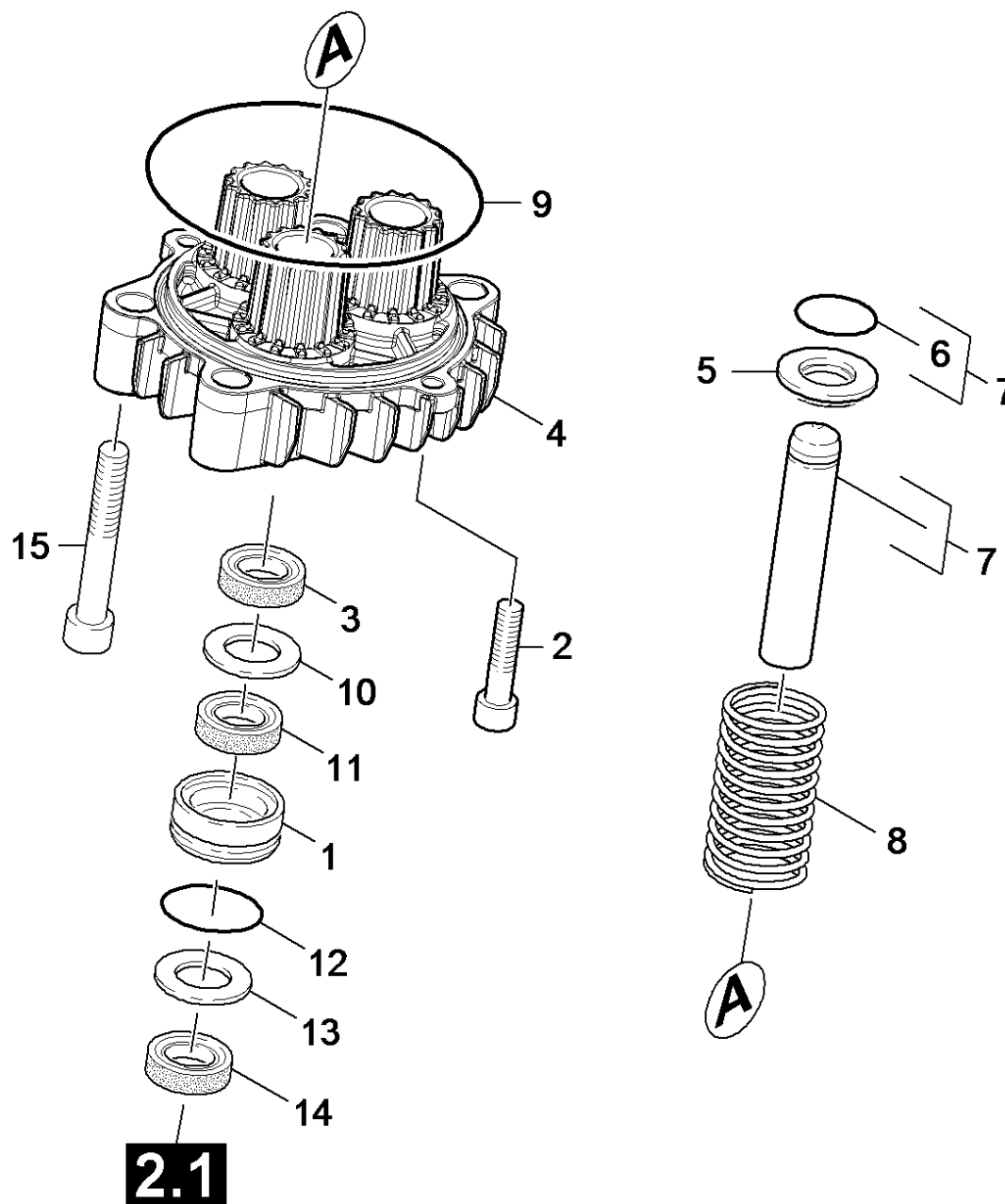
100 Spare parts set pump high-pressure 7/18 (2.884-883.0)

| POS | Article no. | Description | Quantity | Unit |
|-----|-------------|--------------------------------------|----------|------|
| 13 | 6.590-002.0 | Bag PE 150x230 mm | 2.000 | ST |
| 4 | 5.112-340.3 | Bush | 3.000 | ST |
| 5 | 6.365-332.0 | Compact seal 18x28x5,8 | 3.000 | ST |
| 9 | 6.365-333.0 | Grooved ring 18X26X5,4 | 3.000 | ST |
| 12 | 6.376-036.0 | Label spare parts neutrally 65x55 MM | 2.000 | ZST |
| 1 | 6.362-388.0 | O-Ring seal 8,0x1,5 -EPDM 70 | 1.000 | ST |
| 2 | 6.362-547.0 | O-Ring seal 20,0x1,5-NBR 70 | 3.000 | ST |
| 7 | 6.362-406.0 | O-Ring seal 33,05X 1,78-NBR 70 | 3.000 | ST |
| 10 | 6.288-072.0 | Silicon grease | 1.000 | ST |
| 3 | 2.884-512.0 | Valve (3 Stueck) | 2.000 | ST |
| 6 | 5.115-431.0 | Washer | 3.000 | ST |
| 8 | 5.115-432.0 | Washer | 3.000 | ST |



3 Valve (3 Stueck) (2.884-512.0)

| POS | Article no. | Description | Quantity | Unit |
|-----|-------------|-------------------------------|----------|------|
| 5 | 6.363-003.0 | O-Ring seal 13,0 X 2,0-NBR 90 | 1.000 | ST |



22 Thrust guidance

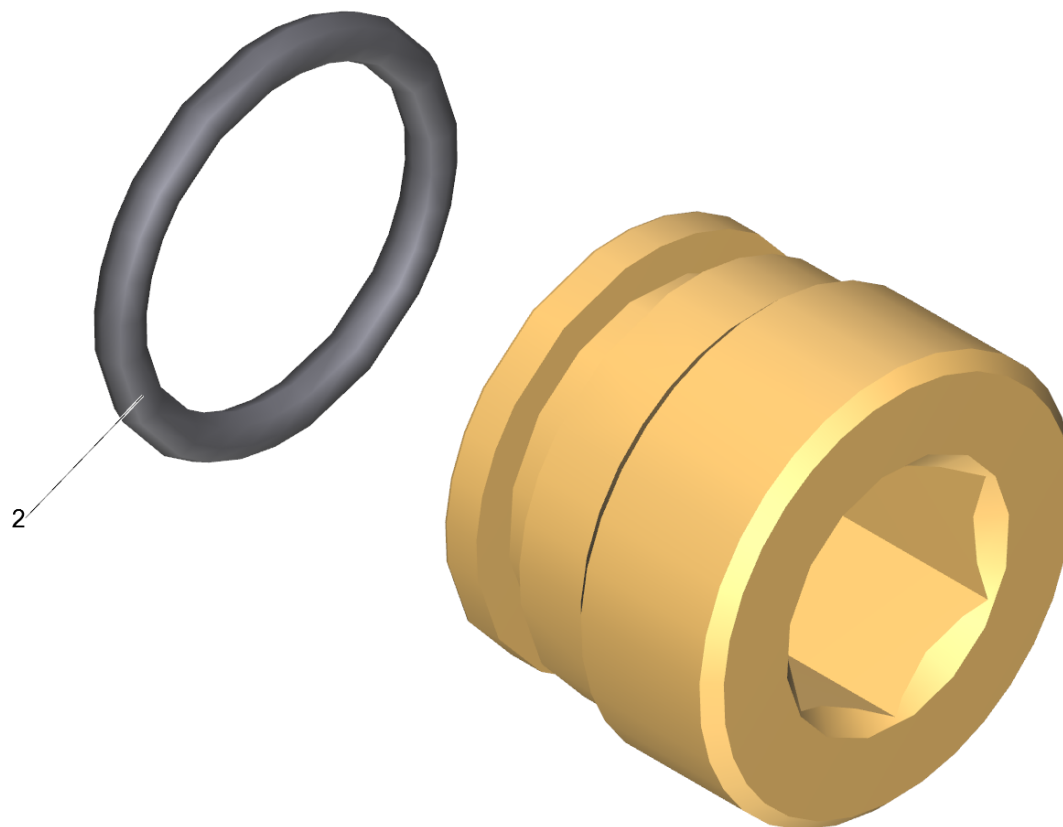
| POS | Article no. | Description | Quantity | Unit |
|-----|---|---|----------|------|
| 1 | 5.112-340.3 | Bush | 3.000 | ST |
| 11 | 6.365-332.0 | Compact seal 18x28x5,8 | 3.000 | ST |
| 15 | 7.306-807.0 | Cylinder head screw M10x85-8.8-A3E ISO4 | 4.000 | ST |
| 14 | 6.365-333.0 | Grooved ring 18X26X5,4 | 3.000 | ST |
| 3 | 6.365-334.0 | Grooved ring 18X26X6/8 | 3.000 | ST |
| 8 | 5.332-529.0 | Helical spring | 3.000 | ST |
| 4 | 4.061-017.0 | Housing -nur für Ersatz- | 1.000 | ST |
| 12 | 6.362-406.0 | O-Ring seal 33,05X 1,78-NBR 70 | 3.000 | ST |
| 9 | 6.362-963.0 | O-Ring seal 88,57X 2,62 | 1.000 | ST |
| | Item text1: 1.524-220.0/-222.0/-223/-910.0/-912.0/ | | | |
| | Item text2: -913.0 | | | |
| 9 | 6.362-102.0 | O-Ring seal 90,0 X 3,0 | 1.000 | ST |
| | Item text1: 1.524-201.0/-208.0/-210/-211.0/-225.0/ | | | |
| | Item text2: -914.0 | | | |
| 100 | 2.885-020.0 | Pump set for piston HD 7/18 M | 1.000 | ST |
| 2 | 7.306-094.0 | Screw M6x25 -8.8-R3R (In6Rd) | 2.000 | ST |
| 6 | 7.343-473.0 | Snap ring 18 -FST DIN 9925 | 3.000 | ST |
| 7 | 4.553-245.0 | Spare part set piston complete | 3.000 | ST |
| 13 | 5.115-431.0 | Washer | 3.000 | ST |
| 10 | 5.115-432.0 | Washer | 3.000 | ST |
| 5 | 5.116-134.0 | Washer | 3.000 | ST |

7 Spare part set piston complete (4.553-245.0)

| POS | Article no. | Description | Quantity | Unit |
|------------|--------------------|----------------------------|-----------------|-------------|
| 3 | 6.591-051.0 | Sliding collar 20 | 1.000 | ST |
| 2 | 7.343-473.0 | Snap ring 18 -FST DIN 9925 | 1.000 | ST |

100 Pump set for piston HD 7/18 M (2.885-020.0)

| POS | Article no. | Description | Quantity | Unit |
|-----|-------------|--------------------------------------|----------|------|
| 11 | 6.590-002.0 | Bag PE 150x230 mm | 2.000 | ST |
| 17 | 5.112-340.3 | Bush | 3.000 | ST |
| 1 | 6.365-332.0 | Compact seal 18x28x5,8 | 3.000 | ST |
| 10 | 6.365-333.0 | Grooved ring 18X26X5,4 | 6.000 | ST |
| 9 | 6.365-334.0 | Grooved ring 18X26X6/8 | 3.000 | ST |
| 13 | 6.376-036.0 | Label spare parts neutrally 65x55 MM | 2.000 | ZST |
| 6 | 6.362-388.0 | O-Ring seal 8,0x1,5 -EPDM 70 | 1.000 | ST |
| 16 | 6.362-547.0 | O-Ring seal 20,0x1,5-NBR 70 | 3.000 | ST |
| 5 | 6.288-072.0 | Silicon grease | 1.000 | ST |
| 18 | 4.580-295.0 | Valve complete | 6.000 | ST |
| 14 | 4.483-001.0 | Valve screw | 4.000 | ST |
| 3 | 5.115-431.0 | Washer | 3.000 | ST |
| 2 | 5.115-432.0 | Washer | 3.000 | ST |

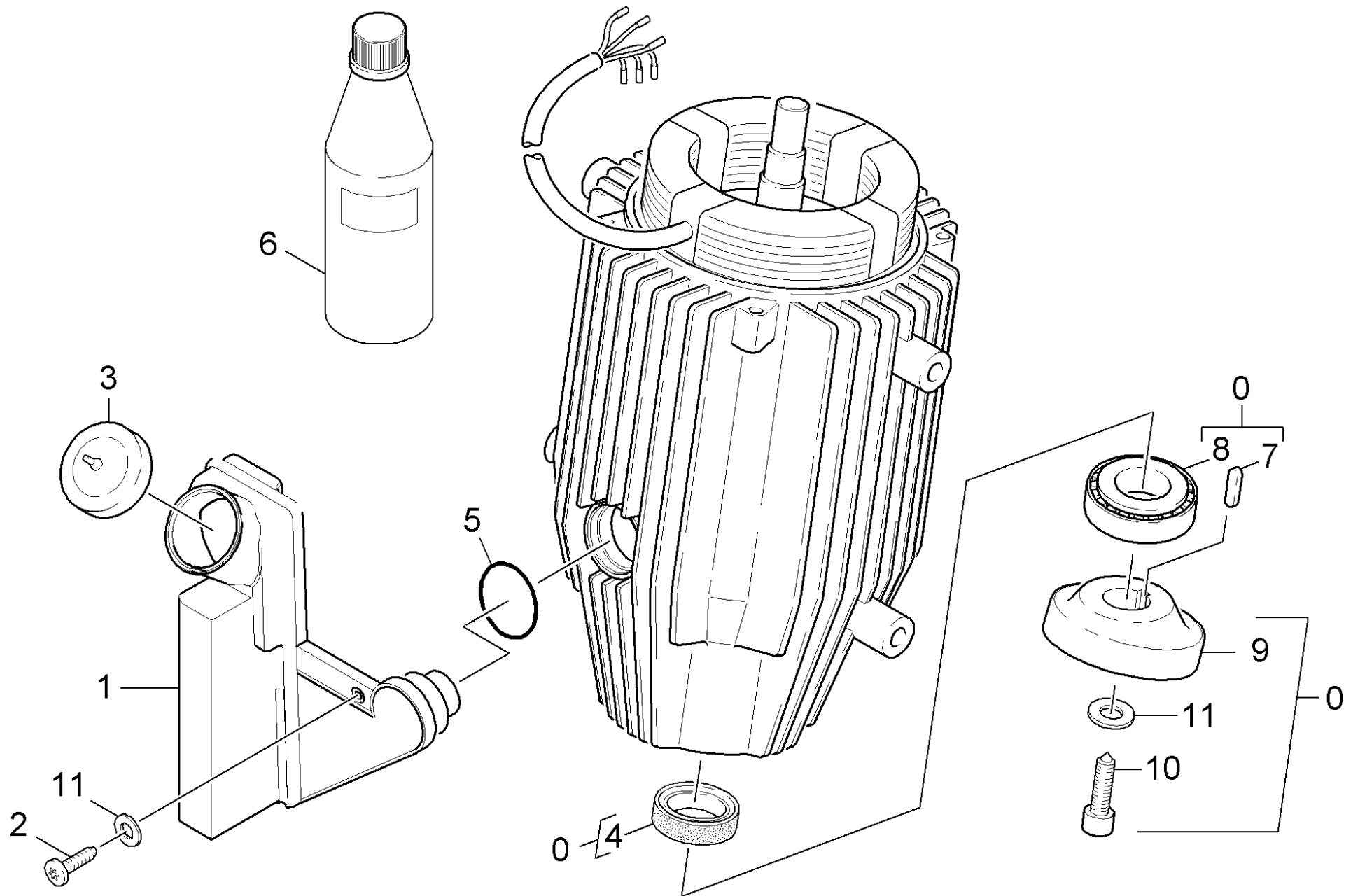


14 Valve screw (4.483-001.0)

| POS | Article no. | Description | Quantity | Unit |
|------------|--------------------|-------------------------------|-----------------|-------------|
| 2 | 6.362-481.0 | O-Ring seal 14,0 x 2,0 NBR 80 | 1.000 | ST |

30 Motor

| POS | Description | Quantity | Unit |
|------------|--------------------|-----------------|-------------|
| 31 | Transmission | 1.000 | ST |
| 32 | Ventilation | 1.000 | ST |



31 Transmission

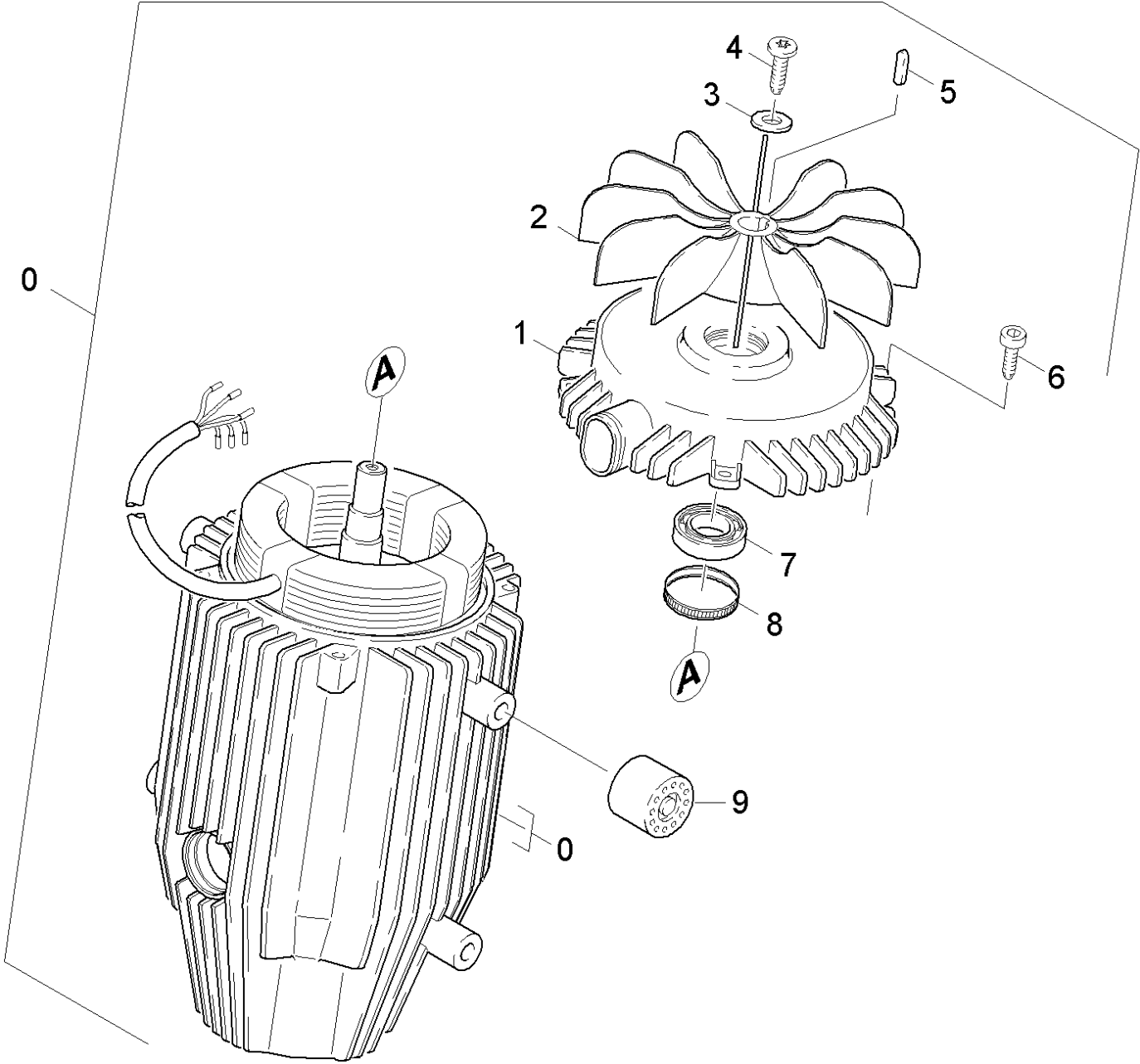
| POS | Article no. | Description | Quantity | Unit |
|-----|-------------|---|----------|------|
| 3 | 5.064-457.0 | Cover qusty grey SAE 90 | 1.000 | ST |
| 6 | 6.288-016.0 | Gear oil 1L | 1.000 | ST |
| 0 | 4.623-711.0 | Motor complete | 1.000 | ST |
| 5 | 6.362-722.0 | O-Ring seal 28,0 X 3,0 | 1.000 | ST |
| 7 | 7.318-070.0 | Parallel key 5x5x20-C45R DIN 6885-1 | 1.000 | ST |
| 4 | 7.367-156.0 | Radial shaft seal ring A30x40x7-NBR DIN | 1.000 | ST |
| 2 | 6.303-320.0 | Screw M 5x 20-St-R2R | 1.000 | ST |
| 10 | 7.306-092.0 | Screw M6x20-ST- 8.8-R3R (IN6RD) | 2.000 | ST |
| 1 | 5.070-658.0 | Tank oil | 1.000 | ST |
| 8 | 6.401-399.0 | Taper roller bearing | 1.000 | ST |
| 11 | 7.312-260.0 | Washer 6 -100HV-A3E ISO 7094 | 2.000 | ST |
| 9 | 4.120-215.0 | Wobble plate | 1.000 | ST |

Motor complete (4.623-711.0)

| POS | Article no. | Description | Quantity | Unit |
|-----|-------------|---|----------|------|
| 25 | 6.401-285.0 | Ball bearing 6204 2RS | 1.000 | ST |
| 2 | 5.063-707.0 | Bearing cover B | 1.000 | ST |
| 8 | 5.600-046.0 | Blower wheel | 1.000 | ST |
| 28 | 6.591-014.0 | Carton 484x284x340 mm N -1c | 1.000 | ST |
| 24 | | Deep groove ball thrust bearing | 1.000 | ST |
| 27 | 6.288-048.0 | Engine oil 15W/40 | 1.000 | L |
| 31 | 6.376-036.0 | Label spare parts neutrally 65x55 MM | 1.000 | ZST |
| 29 | 6.591-114.0 | Paper cushion | 4.000 | M |
| 19 | 7.318-070.0 | Parallel key 5x5x20-C45R DIN 6885-1 | 1.000 | ST |
| 20 | 7.318-079.0 | Parallel key A 5x5x25-C45R DIN 6885 | 1.000 | ST |
| 6 | | Piece of tube | 1.000 | ST |
| 21 | 7.367-156.0 | Radial shaft seal ring A30x40x7-NBR DIN | 1.000 | ST |
| 5 | | Rating plate 20x60 | 1.000 | ST |
| 15 | 7.306-092.0 | Screw M6x20-ST- 8.8-R3R (IN6RD) | 2.000 | ST |
| 10 | 6.303-265.0 | Self-tapping screw M6x20 | 4.000 | ST |
| 18 | 7.313-003.0 | Spring washer B 6-FSt-A3E DIN 127 | 1.000 | ST |
| 30 | | Staples RA 3/4 | 16.000 | ST |
| 23 | | Taper roller bearing 31305 | 1.000 | ST |
| 11 | 6.343-171.0 | Tolerance ring | 1.000 | ST |
| 16 | 7.312-260.0 | Washer 6 -100HV-A3E ISO 7094 | 2.000 | ST |
| 32 | | Wooden pallet EURO-POOL | 0.083 | ZST |

6 Piece of tube

| POS | Article no. | Description | Quantity | Unit |
|------------|--------------------|--------------------|-----------------|-------------|
| 1 | 6.642-043.0 | Insulating hose 10 | 0.090 | M |
| 1 | 6.642-043.0 | Insulating hose 10 | 0.090 | M |



32 Ventilation

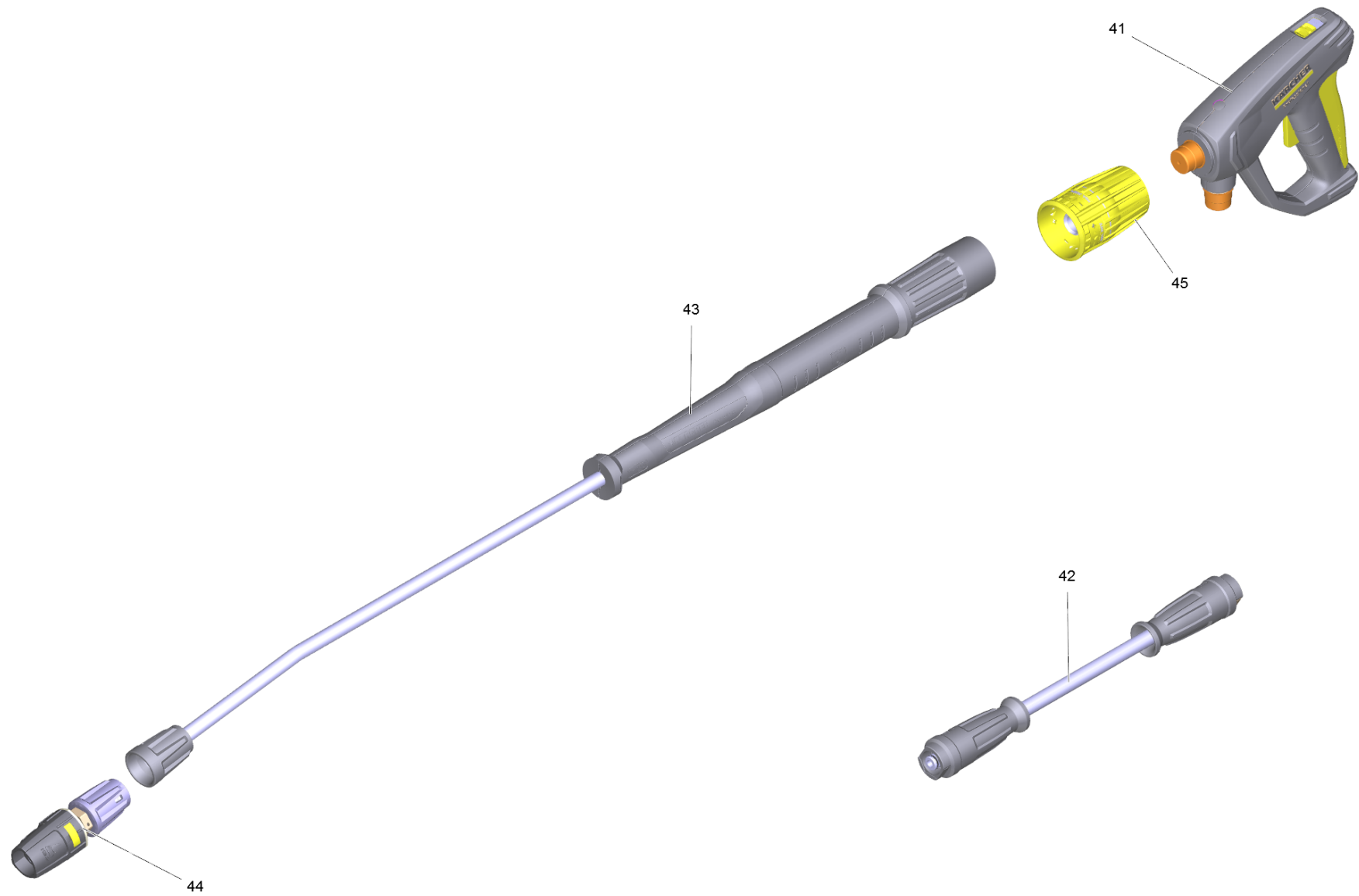
| POS | Article no. | Description | Quantity | Unit |
|------------|--------------------|-------------------------------------|-----------------|-------------|
| 7 | 6.401-285.0 | Ball bearing 6204 2RS | 1.000 | ST |
| 1 | 5.063-707.0 | Bearing cover B | 1.000 | ST |
| 2 | 5.600-046.0 | Blower wheel | 1.000 | ST |
| 0 | 4.623-711.0 | Motor complete | 1.000 | ST |
| 5 | 7.318-079.0 | Parallel key A 5x5x25-C45R DIN 6885 | 1.000 | ST |
| 9 | 5.767-005.0 | Rubber buffer | 4.000 | ST |
| 4 | 7.306-092.0 | Screw M6x20-ST- 8.8-R3R (IN6RD) | 2.000 | ST |
| 6 | 6.303-265.0 | Self-tapping screw M6x20 | 4.000 | ST |
| 8 | 6.343-171.0 | Tolerance ring | 1.000 | ST |
| 3 | 7.312-260.0 | Washer 6 -100HV-A3E ISO 7094 | 2.000 | ST |

Motor complete (4.623-711.0)

| POS | Article no. | Description | Quantity | Unit |
|-----|-------------|---|----------|------|
| 25 | 6.401-285.0 | Ball bearing 6204 2RS | 1.000 | ST |
| 2 | 5.063-707.0 | Bearing cover B | 1.000 | ST |
| 8 | 5.600-046.0 | Blower wheel | 1.000 | ST |
| 28 | 6.591-014.0 | Carton 484x284x340 mm N -1c | 1.000 | ST |
| 24 | | Deep groove ball thrust bearing | 1.000 | ST |
| 27 | 6.288-048.0 | Engine oil 15W/40 | 1.000 | L |
| 31 | 6.376-036.0 | Label spare parts neutrally 65x55 MM | 1.000 | ZST |
| 29 | 6.591-114.0 | Paper cushion | 4.000 | M |
| 19 | 7.318-070.0 | Parallel key 5x5x20-C45R DIN 6885-1 | 1.000 | ST |
| 20 | 7.318-079.0 | Parallel key A 5x5x25-C45R DIN 6885 | 1.000 | ST |
| 6 | | Piece of tube | 1.000 | ST |
| 21 | 7.367-156.0 | Radial shaft seal ring A30x40x7-NBR DIN | 1.000 | ST |
| 5 | | Rating plate 20x60 | 1.000 | ST |
| 15 | 7.306-092.0 | Screw M6x20-ST- 8.8-R3R (IN6RD) | 2.000 | ST |
| 10 | 6.303-265.0 | Self-tapping screw M6x20 | 4.000 | ST |
| 18 | 7.313-003.0 | Spring washer B 6-FSt-A3E DIN 127 | 1.000 | ST |
| 30 | | Staples RA 3/4 | 16.000 | ST |
| 23 | | Taper roller bearing 31305 | 1.000 | ST |
| 11 | 6.343-171.0 | Tolerance ring | 1.000 | ST |
| 16 | 7.312-260.0 | Washer 6 -100HV-A3E ISO 7094 | 2.000 | ST |
| 32 | | Wooden pallet EURO-POOL | 0.083 | ZST |

6 Piece of tube

| POS | Article no. | Description | Quantity | Unit |
|------------|--------------------|--------------------|-----------------|-------------|
| 1 | 6.642-043.0 | Insulating hose 10 | 0.090 | M |
| 1 | 6.642-043.0 | Insulating hose 10 | 0.090 | M |

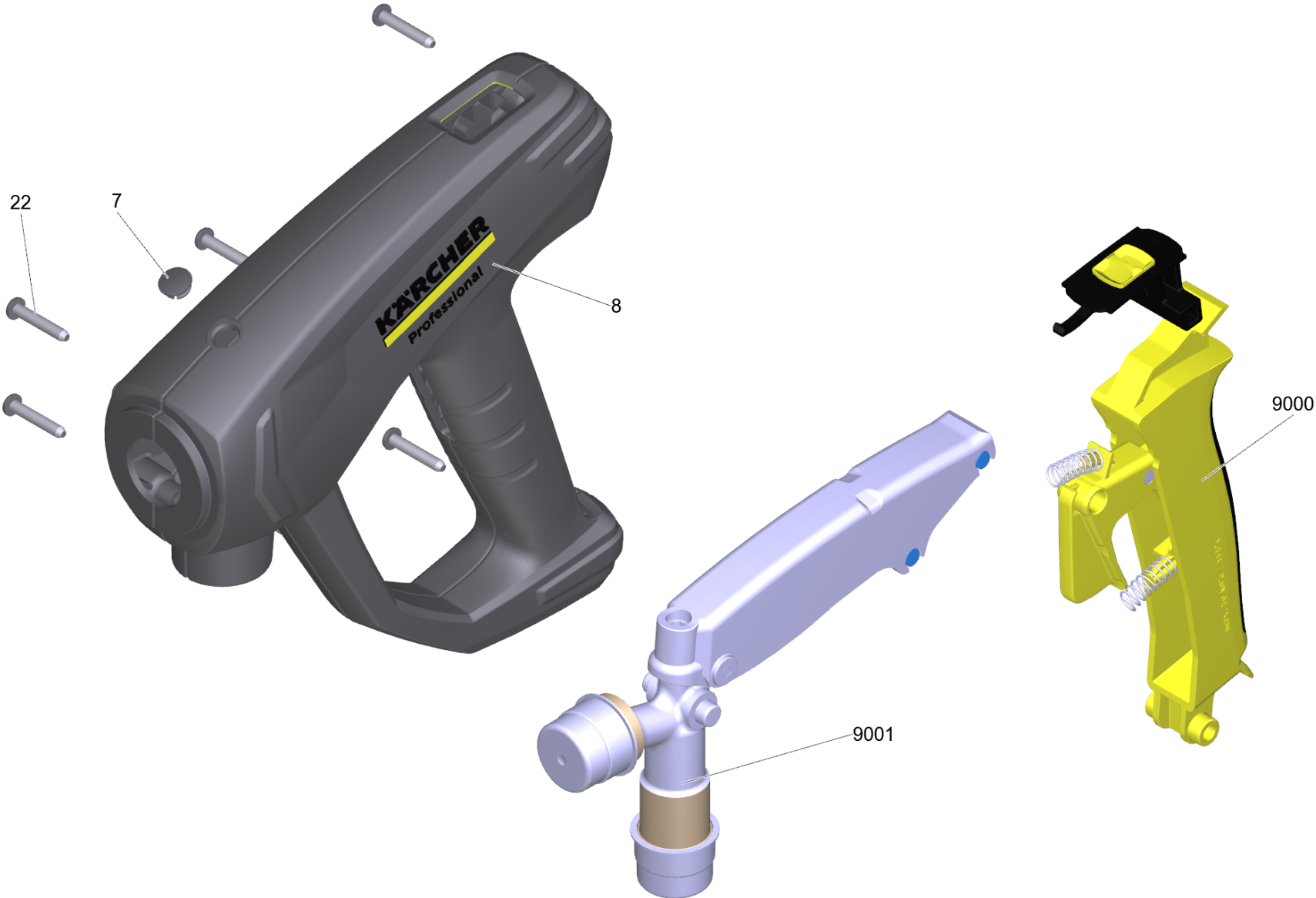


40 Accessories

| POS | Article no. | Description | Quantity | Unit |
|------------|--------------------|--|-----------------|-------------|
| 41 | 4.118-005.0 | EASY!Force Advanced | 1.000 | ST |
| 42 | 6.110-035.0 | Hose assembly TR rotatable DN6 25MPa 10m | 1.000 | ST |
| 43 | 4.112-000.0 | Jet pipe TR 1050 mm | 1.000 | ST |
| 45 | 4.118-007.0 | Rotary controller TR 270L | 1.000 | ST |
| 44 | 4.117-034.0 | Triple jet nozzle TR 042 | 1.000 | ST |

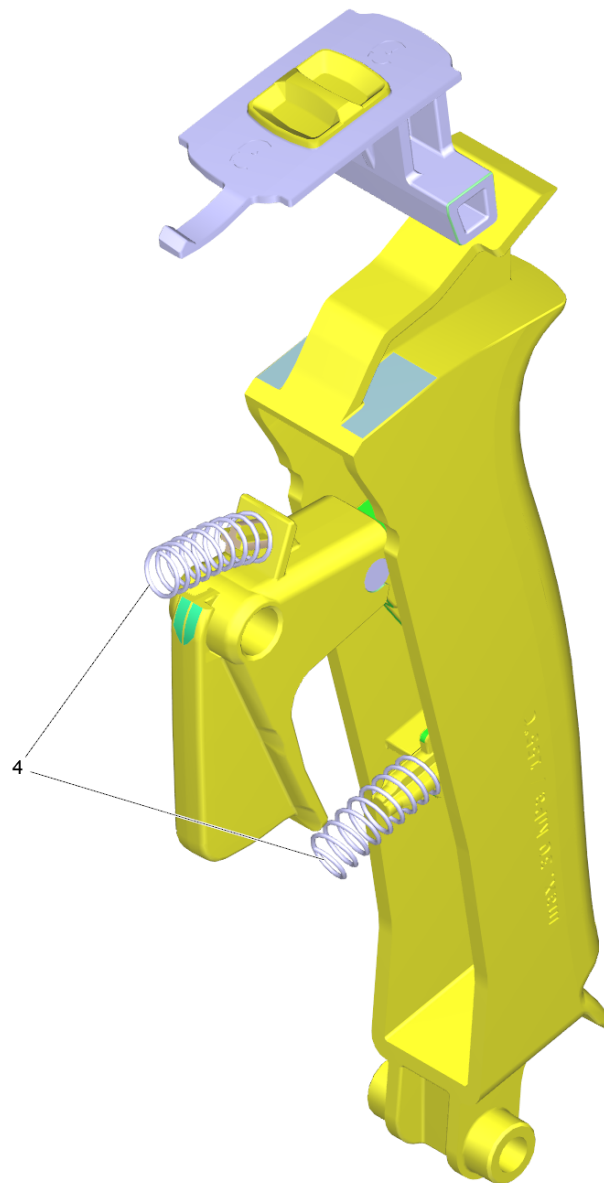
41 EASY!Force Advanced (4.118-005.0)

| POS | Description | Quantity | Unit |
|------------|----------------------------|-----------------|-------------|
| 1 | Hand trigger gun TR EH 155 | 1.000 | ST |



1 Hand trigger gun TR EH 155

| POS | Article no. | Description | Quantity | Unit |
|------------|--------------------|--|-----------------|-------------|
| 8 | 5.321-136.3 | Handhold few EH 155 only for replacement | 1.000 | ST |
| 9001 | 4.427-014.0 | Manifold TR EH 155 nur fuer Ersatz | 1.000 | ST |
| 7 | 5.132-001.0 | Plug | 1.000 | ST |
| 22 | 7.303-096.0 | Screw 4x22 -ST-10.9-R2R (IN6RD) | 7.000 | ST |
| 9000 | 2.885-483.0 | Spare part set lever | 1.000 | ST |

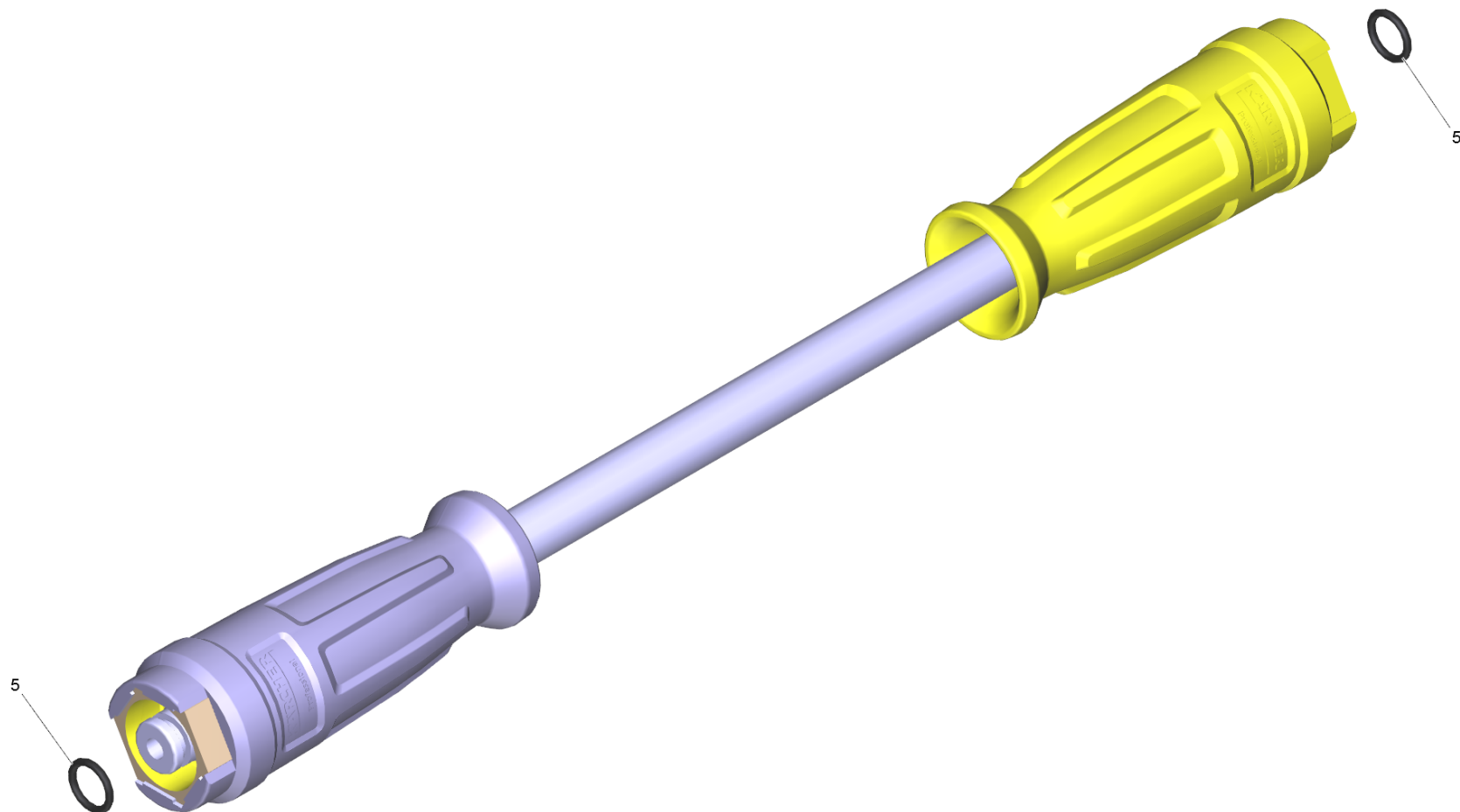


9000 Spare part set lever (2.885-483.0)

| POS | Article no. | Description | Quantity | Unit |
|------------|--------------------|--------------------|-----------------|-------------|
| 4 | 5.332-032.0 | Helical spring | 2.000 | ST |

42 Hose assembly TR rotatable DN6 25MPa 10m (6.110-035.0)

| POS | Description | Quantity | Unit |
|------------|--|-----------------|-------------|
| 1 | Hose assembly TR rotatable DN6 25MPa 10m | 1.000 | ST |

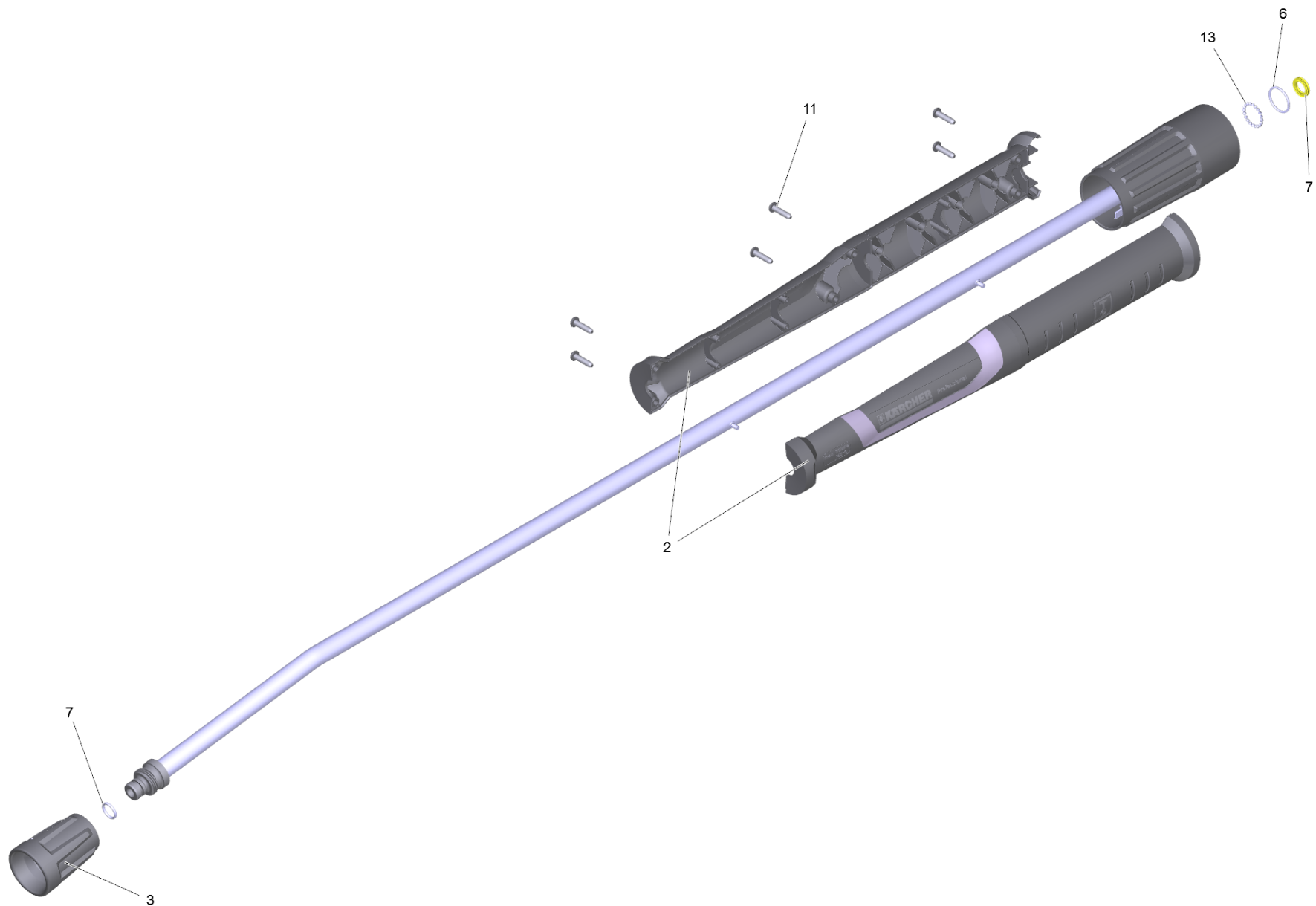


1 Hose assembly TR rotatable DN6 25MPa 10m

| POS | Article no. | Description | Quantity | Unit |
|------------|--------------------|--------------------|-----------------|-------------|
| 5 | 2.880-154.0 | O-Ring kit | 1.000 | ST |

43 Jet pipe TR 1050 mm (4.112-000.0)

| POS | Description | Quantity | Unit |
|-----|---------------------|----------|------|
| 1 | Jet pipe TR 1050 mm | 1.000 | ST |

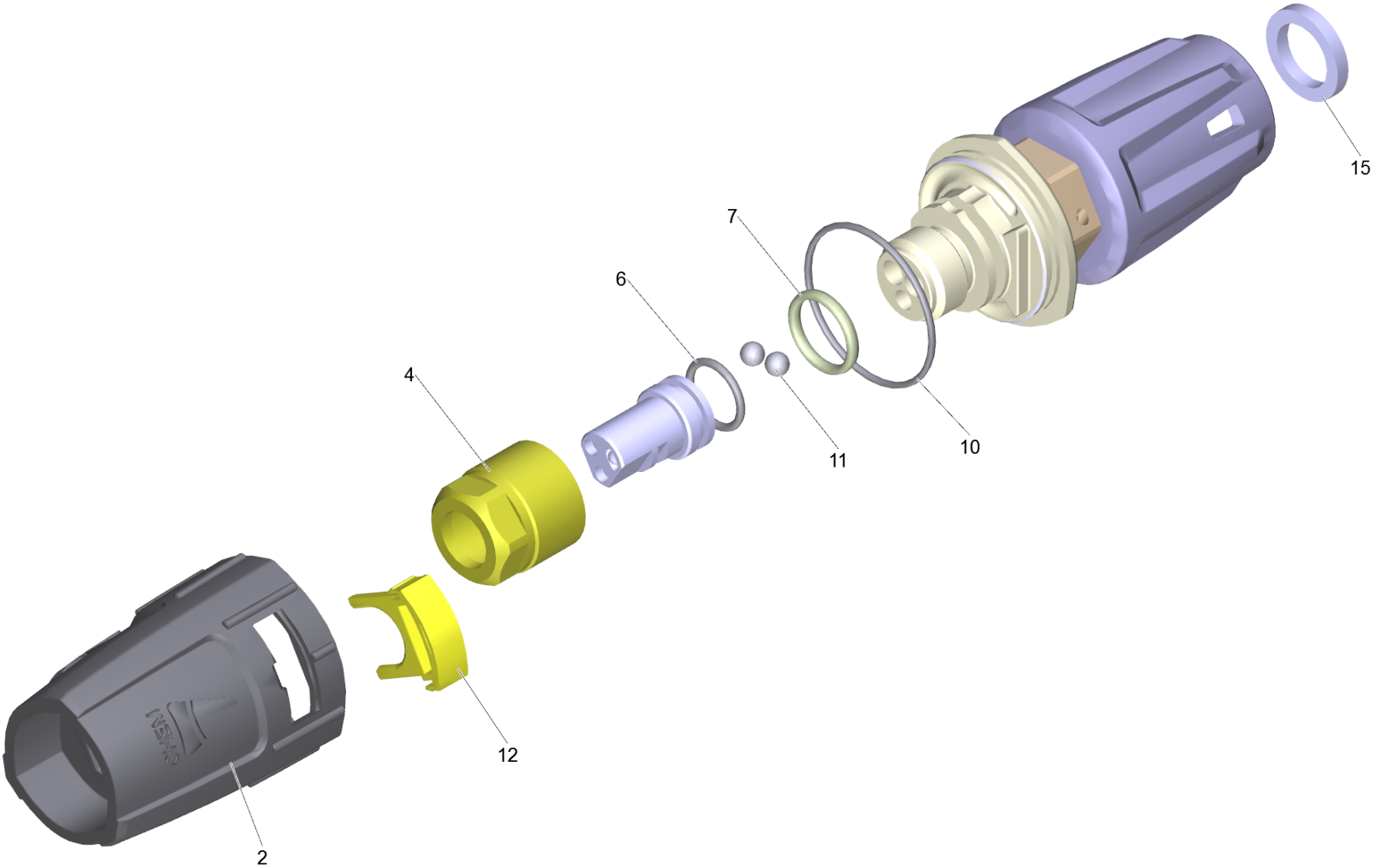


1 Jet pipe TR 1050 mm

| POS | Article no. | Description | Quantity | Unit |
|------------|--------------------|--|-----------------|-------------|
| 2 | 5.321-018.3 | Handle bowl jet pipe only for replacemen | 1.000 | ST |
| 6 | 6.362-067.0 | O-Ring seal 16,1x1,6 | 1.000 | ST |
| 3 | 4.112-011.0 | Protection part TR only for replacement | 1.000 | ST |
| 11 | 7.303-129.0 | Screw 4x16 -10.9-R2R (K-In6Rd) | 6.000 | ST |
| 7 | 2.880-001.0 | Spare part set seals TR | 1.000 | ST |
| 13 | 7.401-915.0 | Sphere 2,5 G20 -1.4034 DIN 5401 | 20.000 | ST |

44 Triple jet nozzle TR 042 (4.117-034.0)

| POS | Description | Quantity | Unit |
|-----|--------------------------|----------|------|
| 1 | Triple jet nozzle TR 042 | 1.000 | ST |

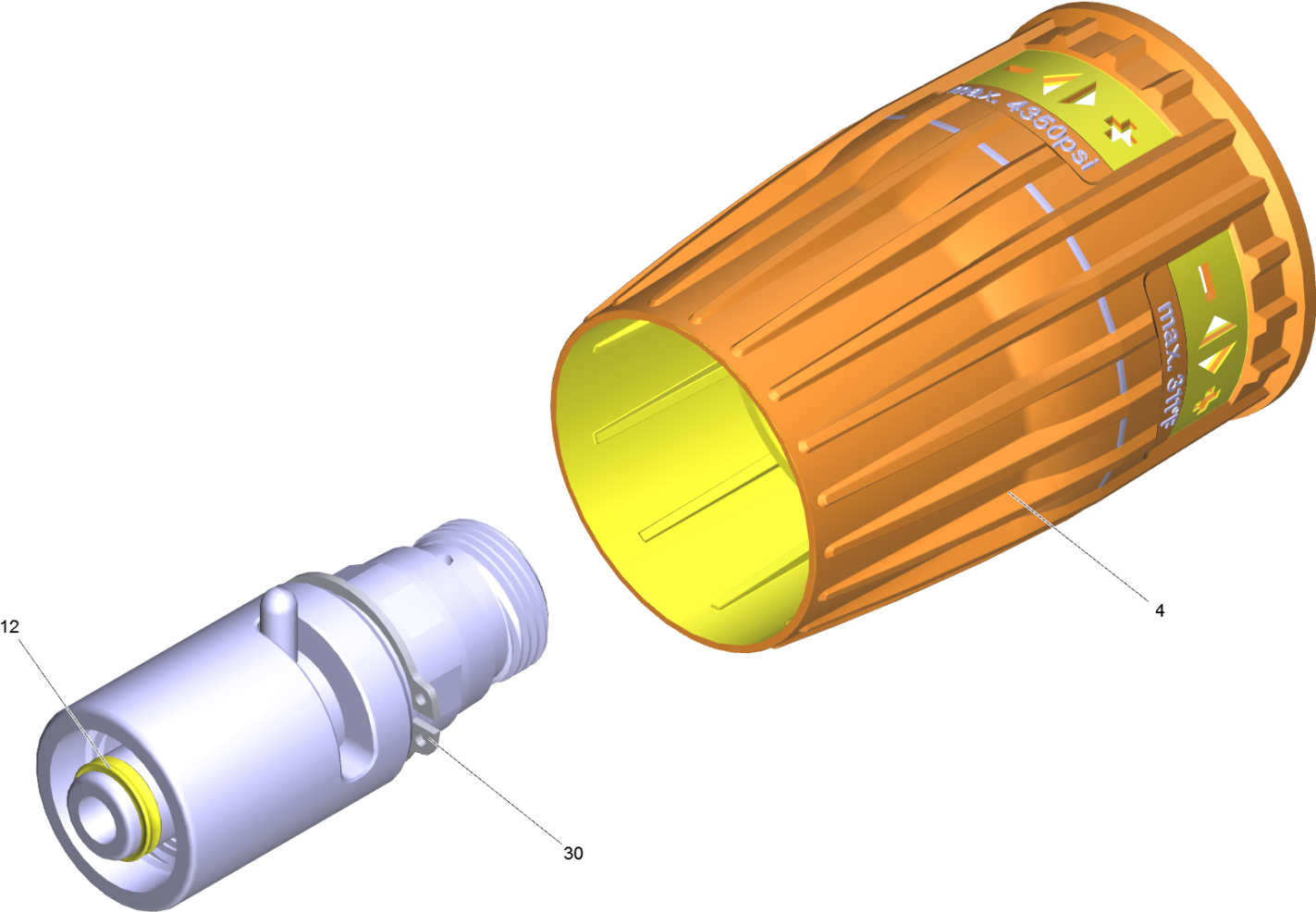


1 Triple jet nozzle TR 042

| POS | Article no. | Description | Quantity | Unit |
|------------|--------------------|-------------------------------|-----------------|-------------|
| 15 | 6.363-696.0 | Brake ring 14x20x3 | 1.000 | ST |
| 12 | 5.321-884.0 | Clamp | 1.000 | ST |
| 4 | 5.311-225.0 | Nut | 1.000 | ST |
| 6 | 6.362-480.0 | O-Ring seal 12,42x 1,78 | 1.000 | ST |
| 7 | 6.362-460.0 | O-Ring seal 14,0 X 2,5-NBR 70 | 1.000 | ST |
| 10 | 6.362-409.0 | O-Ring seal 32,0 X 1,5 | 1.000 | ST |
| 2 | 5.394-859.0 | Protection part | 1.000 | ST |
| 11 | 7.401-902.0 | Sphere 5 G20 -1.4034 DIN 5401 | 2.000 | ST |

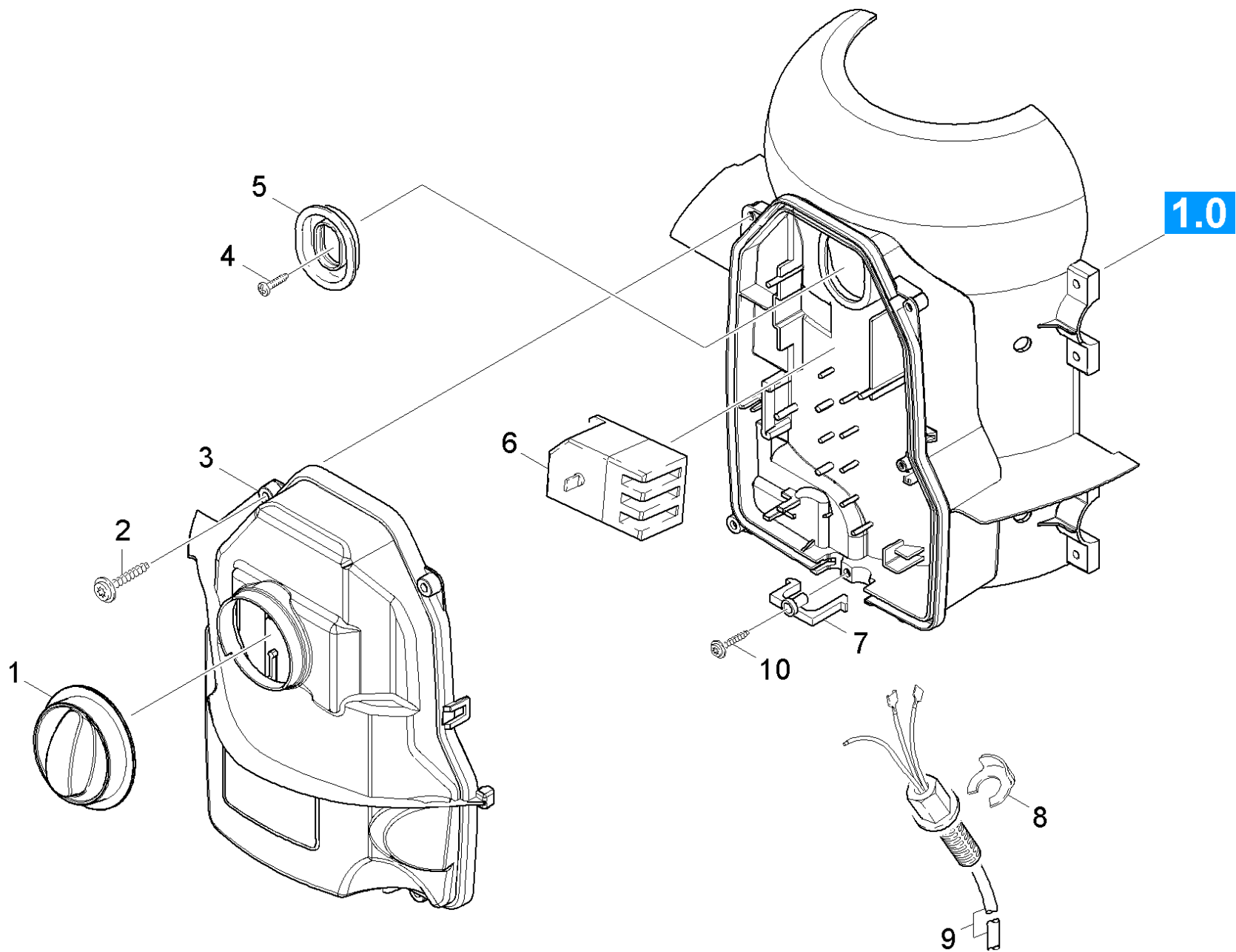
45 Rotary controller TR 270L (4.118-007.0)

| POS | Description | Quantity | Unit |
|------------|---------------------------|-----------------|-------------|
| 1 | Rotary controller TR 270L | 1.000 | ST |



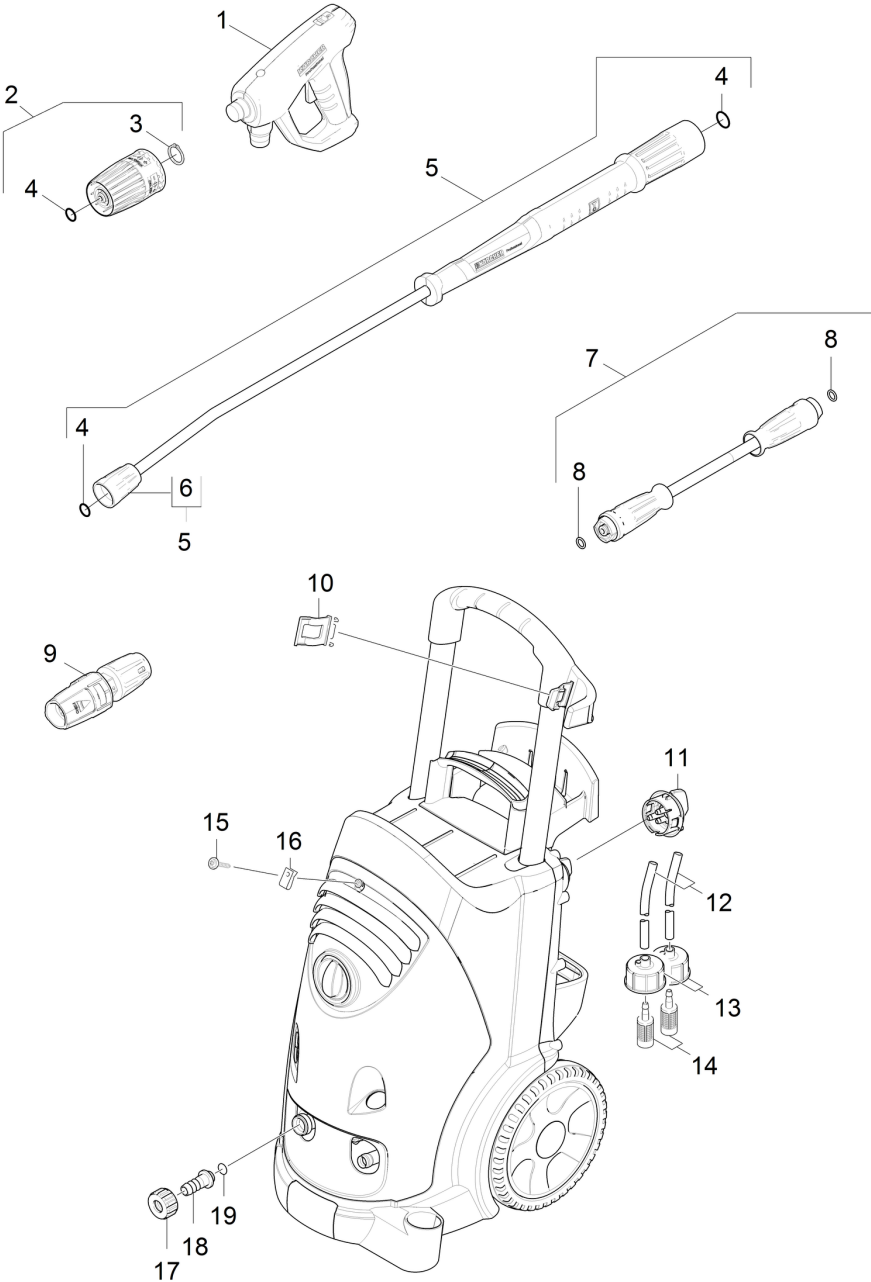
1 Rotary controller TR 270L

| POS | Article no. | Description | Quantity | Unit |
|------------|--------------------|------------------------------------|-----------------|-------------|
| 4 | 5.321-364.3 | Handhold rotary controller | 1.000 | ST |
| 30 | 7.343-069.0 | Locking ring 25x1,2-1.4122 DIN 471 | 1.000 | ST |
| 12 | 2.880-001.0 | Spare part set seals TR | 1.000 | ST |



50 Electric box

| POS | Article no. | Description | Quantity | Unit |
|------------|--------------------|------------------------------|-----------------|-------------|
| 9 | 6.649-444.0 | Cable with plug | 1.000 | ST |
| 3 | 5.064-176.0 | Cover | 1.000 | ST |
| 1 | 5.322-101.0 | Handle yellow | 1.000 | ST |
| 8 | 6.343-186.0 | Locking ring | 1.000 | ST |
| 6 | 6.631-190.0 | Motor protecting switch | 1.000 | ST |
| 5 | 5.365-181.0 | Profile gasket | 1.000 | ST |
| 2 | 7.303-108.0 | Screw 5x20 -10.9-R2R (In6Rd) | 4.000 | ST |
| 10 | 6.303-200.0 | Screw 5x25-IN6RD | 1.000 | ST |
| 4 | 7.303-031.0 | Screw M4x10 -St-P2R (In6Rd) | 1.000 | ST |
| 7 | 5.263-058.0 | Tensioning part | 1.000 | ST |



1040 Short spare parts list

| POS | Article no. | Description | Quantity | Unit | Foot note text |
|-----|-------------|--|----------|------|-----------------------|
| 13 | 4.060-866.0 | Cover cleaning agents complete | 2.000 | ST | |
| 1 | 4.118-005.0 | EASY!Force Advanced | 1.000 | ST | |
| 14 | 5.731-652.0 | Filter with weight | 2.000 | ST | |
| 10 | 5.044-216.0 | Holder | 1.000 | ST | |
| 7 | 6.110-035.0 | Hose assembly TR rotatable DN6 25MPa 10m | 1.000 | ST | |
| 12 | 6.388-216.0 | Hose DN 5 | 1.000 | M | TO ORDER AS CUT GOODS |
| 18 | 5.443-291.0 | Hose stem | 1.000 | ST | |
| 5 | 4.112-000.0 | Jet pipe TR 1050 mm | 1.000 | ST | |
| 3 | 7.343-069.0 | Locking ring 25x1,2-1.4122 DIN 471 | 1.000 | ST | |
| 17 | 5.310-076.0 | Nut | 1.000 | ST | |
| 8 | 2.880-154.0 | O-Ring kit | 1.000 | ST | |
| 19 | 6.362-161.0 | O-Ring seal 19,3 X 2,4 | 1.000 | ST | |
| 11 | 4.580-645.0 | Proportioning valve chemistry | 1.000 | ST | |
| 6 | 4.112-011.0 | Protection part TR only for replacement | 1.000 | ST | |
| 16 | 6.310-053.0 | Putting nut | 1.000 | ST | |
| 2 | 4.118-007.0 | Rotary controller TR 270L | 1.000 | ST | |
| 15 | 6.304-099.0 | Saucer-head screw M 6x 18-4.8-R2R | 1.000 | ST | |
| 4 | 2.880-001.0 | Spare part set seals TR | 3.000 | ST | |
| 9 | 4.117-034.0 | Triple jet nozzle TR 042 | 1.000 | ST | |