

# NEPTUNE 2

---

Model:

NEPTUNE 2-13  
NEPTUNE 2-20  
NEPTUNE 2-25  
NEPTUNE 2-26  
NEPTUNE 2-30  
NEPTUNE 2-33  
NEPTUNE 2-38  
NEPTUNE 2-41



Part List US-English

06-06-2011

**Nilfisk**  
**ALTO**  
works for you

[www.nilfisk-alto.com](http://www.nilfisk-alto.com)

# Table of Contents

## NEPTUNE 2

<b>Cabinet</b>	<b>3</b>
<b>Frame</b>	<b>5</b>
<b>Fuel tank and detergent tank</b>	<b>7</b>
<b>Water break tank</b>	<b>9</b>
<b>Motor</b>	<b>11</b>
<b>Pump 1 (1ph)</b>	<b>13</b>
<b>Pump 2 (3ph)</b>	<b>16</b>
<b>EI-box</b>	<b>19</b>
<b>Burner unit</b>	<b>22</b>
<b>Distributor, Flow switch</b>	<b>24</b>
<b>Heat exchanger</b>	<b>26</b>
<b>Air distributor ignition transformer</b>	<b>28</b>
<b>Hose reel</b>	<b>30</b>
<b>Default accessories</b>	<b>32</b>
<b>Anti scale</b>	<b>34</b>
<b>Sandfilter NEPTUNE 1 + 2</b>	<b>36</b>
<b>Recommended Spare Parts</b>	<b>38</b>

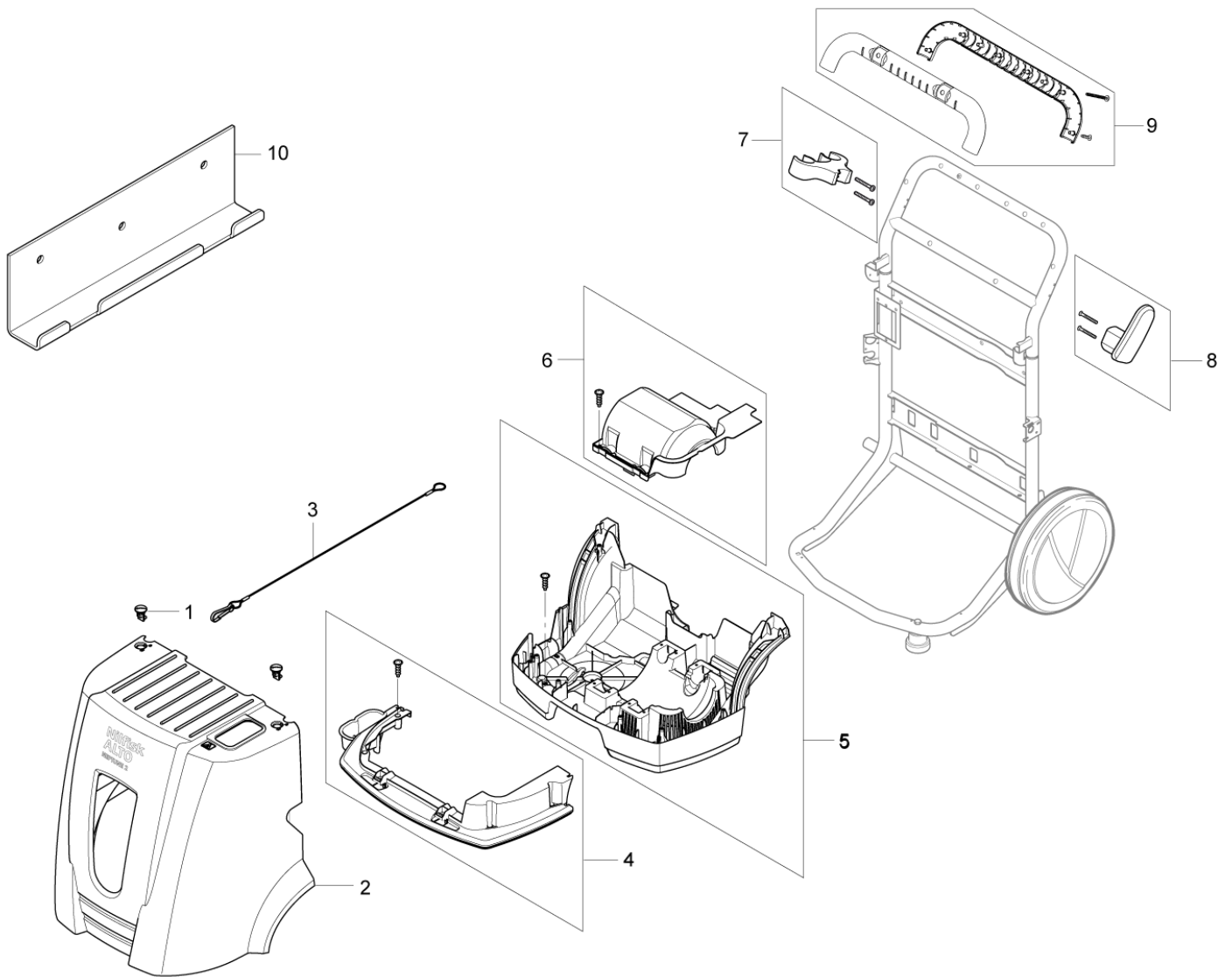
# Cabinet

NEPTUNE 2

06-06-2011

Part List ID  
NEPTUNE204

3



# Cabinet

## NEPTUNE 2

06-06-2011

Part List ID  
NEPTUNE204

4

Pos	Part no.	Qty	Description	EAN
0	107145200	1	CARDBOARD BOX NEPTUNE 2 shipping box for Neptune 2	4005337179
1	301001261	2	LOCKING BOLT Ø29X35	4005337042
2	101117713	1	NEPTUNE 2 COVER WITH PRINTING	4005337157
3	101117711	1	WIRE FOR COVER	4005337165
4	101117672	1	FRONT BUFFER TOP KIT.	4005337152
5	101117667	1	BUMPER BUTTOM KIT	4005337158
6	101117668	1	MOTOR COVER	4005337152
7	101117666	1	TOP LANCE HOLDER KIT	4005337152
8	101117682	1	HOOK FOR HOSE COMP	4005337152
9	101117665	1	HANDLE KIT - NEPTUNE 2	4005337152
10	107145347	1	WALL MOUNTING BRACKET KIT accessory	4005337154

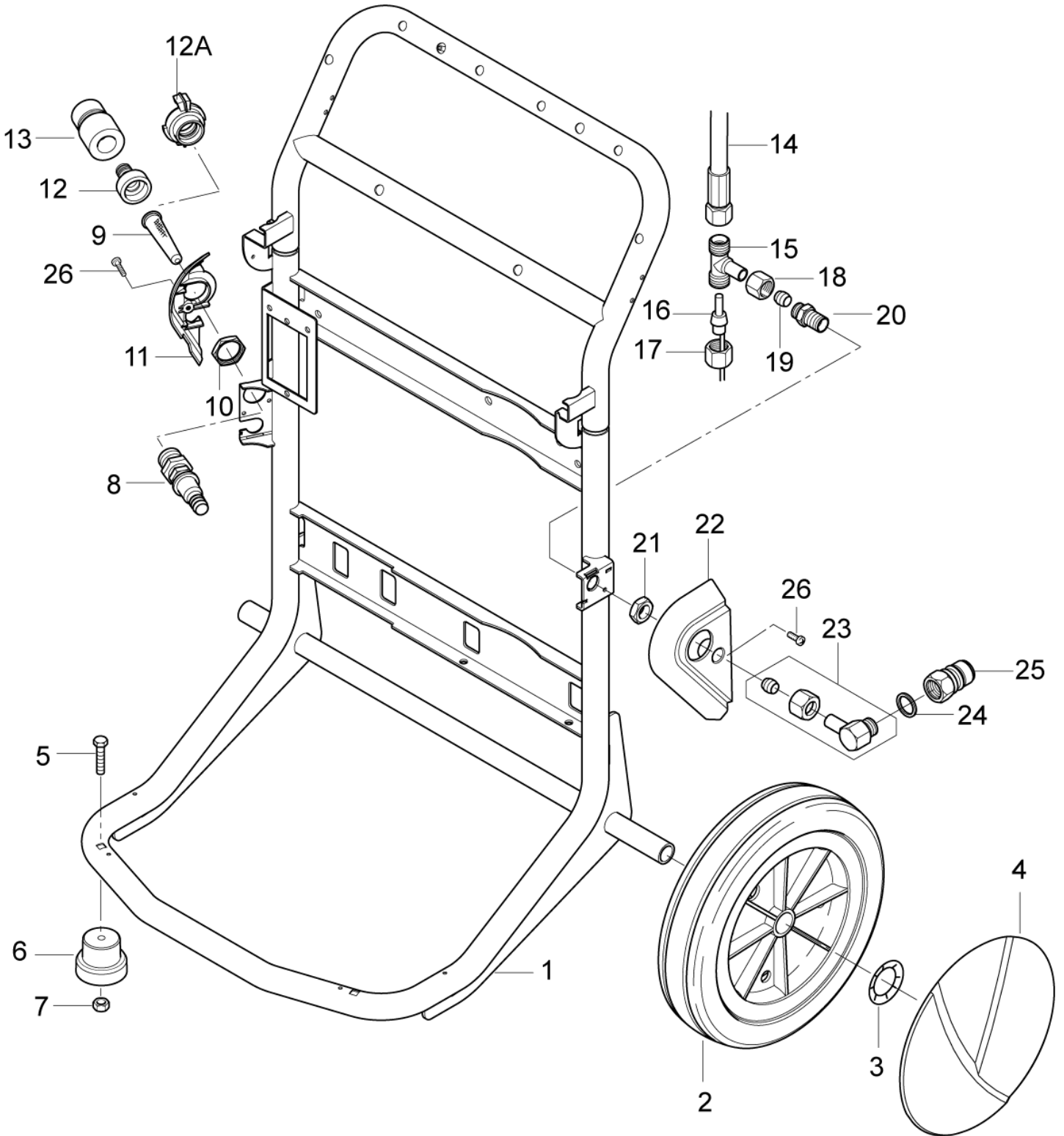
# Frame

NEPTUNE 2

06-06-2011

Part List ID  
NEPTUNE202

5



# Frame

## NEPTUNE 2

06-06-2011

Part List ID  
NEPTUNE202

6

Pos	Part no.	Qty	Description	EAN
1	101117742	1	FRAME CPL. NEPTUNE2	4005337155
2	6184074	2	WHEEL Ø300	5701715078
3	46363	2	CLAMPING RING D25	4005337463
4	301001077	2	WHEEL CAP Ø234	4005337031
5	101117745	2	M8 X 45 ISO 7380 FZB603	4005337155
6	101117743	2	SUSTAINER	4005337155
7	61467	2	HEXAGON NUT M8	4005337614
8	6100937	1	FILTER HOUSING	5701715063
9	6100941	1	FILTER L 7CM	5701715000
10	1800341	1	LOCK NUT 3/4IN	5701715026
11	101117679	1	COVER FOR INLET COMP	4005337158
12	32541	1	GARDENA MALE 3/4	4005337325
13	1602945	1	QUICK COUPLING 3/4 W/GASKET	5701715024
14	101117740	1	HP HOSE 295MM	4005337155
15	4102	1	SCREWING	4005337041
16	101117741	1	TEMP SENSOR WITH CABLE	4005337155
17	1081	1	UNION NUT L 12	4005337010
18	1081	1	UNION NUT L 12	4005337010
19	1080	1	RING L 12	4005337010
20	101117744	1	FITTING FOR OUTLET	4005337155
21	1803220	1	LOCK NUT M18X1.5	5701715028
22	101117680	1	COVER FOR OUTLET COMP	4005337152
23	101117681	1	ANGLE FITTING COMP	4005337152
24	1801075	1	PACKING RING Ø 23,8X Ø 17,2	5701715027
25	1600493	1	NIPPLE F. Q-COUP. 3/8IN HP	5701715023
26	1803030	2	SREW CROSS M5 X 12 FZB DIN7985	5701715028
12a	1718	1	GEKA COUPLING INT THREAD 3/4	4005337017

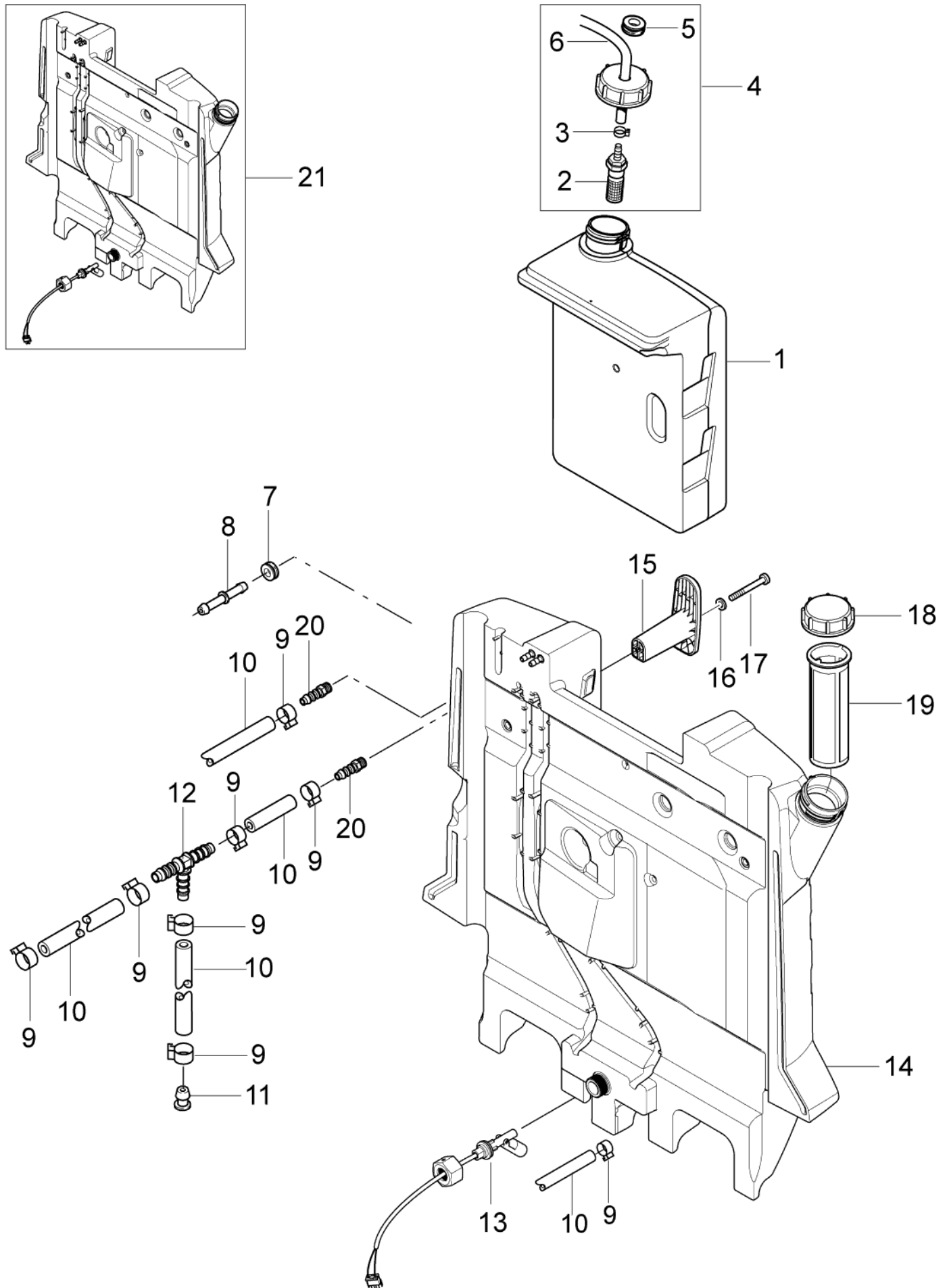
# Fueltank and detergent tank

NEPTUNE 2

06-06-2011

Part List ID  
NEPTUNE206

7



# Fuel tank and detergent tank

NEPTUNE 2

06-06-2011

Part List ID  
NEPTUNE206

8

Pos	Part no.	Qty	Description	EAN
-	101117934	1	WARNING LABEL HOT	4005337176
1	101117920	1	DETERGENT TANK NEPTUNE 2	4005337174
2	17508	1	STRAINER VALVE 6	5701715306
3	301001133	1	HOSE CLAMP 10/7	4005337033
4	101117750	1	DETERGENT HOSEW/CAP AND FILTER	4005337165
5	101117749	1	CABLE GROMMET	4005337155
6	5206636	1	HOSE 6/10	5701715046
7	101117753	2	GROMMET 60/110/50 NEOPREN up to 12.08	4005337165
8	101117748	2	PLUG FOR D6 / D10 HOSE up to 12.08	4005337165
9	301001133	9	HOSE CLAMP 10/7	4005337033
10	5226220	1	HOSE D6X2,5	5701715208
11	101117751	1	VENTILATIONS PLUG FOR 6/10 HOSE	4005337155
12	101117794	1	T CONNECTOR PIECE D6	4005337162
13	101118007	1	LEVEL SENSOR KIT	4005337183
14	101118006	1	FUEL TANK COMPLETE KIT SEE TSB-PPW-2009-006	4005337183
15	101117678	2	CABLE HOOK COMP	4005337152
16	1800440	2	WASHER (1101320,1103440)	5701715026
17	31410	2	SCREW M6 X 50 DIN 912 8.8 FZG	4005337314
18	101117752	1	CAP FOR FUEL TANK	4005337155
19	1604222	1	STRAINER	5701715025
20	101117795	1	HOSE FITTING FOR FUEL TANK From 12.08 and up to 12.09	4005337162
21	101118043	1	KIT F. FUEL TANK W LEV. SENS. AND DIAGR. Upgrate kit	4005337186



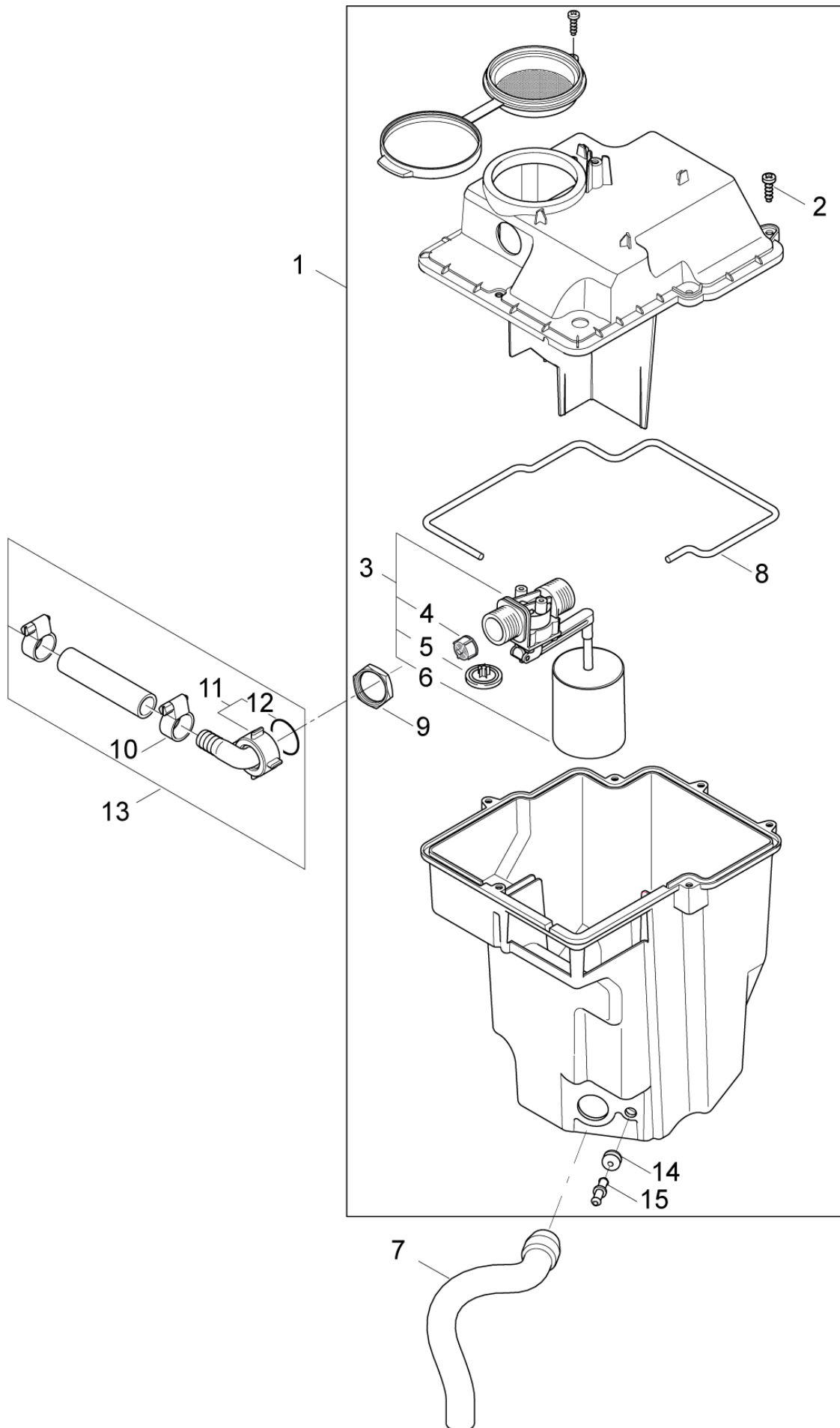
# Water break tank

NEPTUNE 2

06-06-2011

Part List ID  
NEPTUNE208

9



# Water break tank

NEPTUNE 2

06-06-2011

Part List ID  
NEPTUNE208

10

Pos	Part no.	Qty	Description	EAN
1	101117669	1	WATER BREAK TANK COMP.	4005337152
2	101814782	6	SCREW K50X18 WN 1451 TORX 20	4005337170
3	101117784	1	FLOAT VALVE	4005337155
4	34218	1	FILTER FOR FLOAT VALVE KU	4005337342
5	62878	1	MEMBRANE	4005337628
6	62877	1	SWIMMER Ø 55X60	4005337628
7	101117670	1	SUCTION HOSE KIT.	4005337158
8	101117796	1	SILICONE GASKET D3X1	4005337159
9	101117785	1	LOCK NUT 3/4	4005337155
10	8298	2	HOSE CLIP 16-27	4005337082
11	5613	1	HOSE NOZZLE	4005337056
12	15587	1	PACKING RING 14X24X2	4005337155
13	101117671	1	INLET HOSE KIT	4005337158
14	101117781	1	CABLE GROMMET 60/90/40	4005337157
15	101117748	1	PLUG FOR D6 / D10 HOSE	4005337165

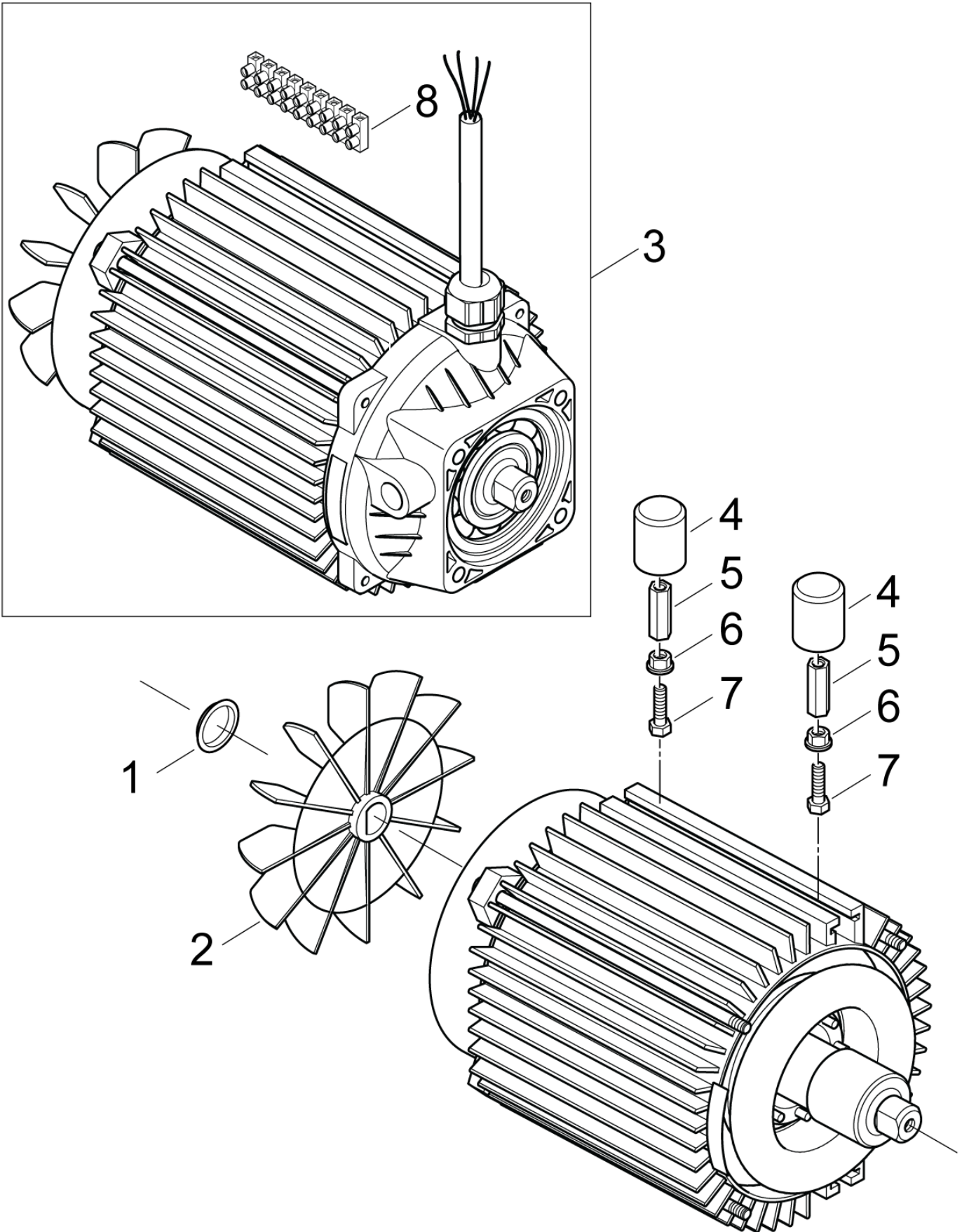
# Motor

NEPTUNE 2

06-06-2011

Part List ID  
NEPTUNE210

11



# Motor

## NEPTUNE 2

06-06-2011

Part List ID  
NEPTUNE210

12

Pos	Part no.	Qty	Description		EAN
1	301001112	1	FASTENING RING		4005337032
2	101117774	1	Motor Fan		
3	101117764	1	MOTOR 3 KW 3X230-400/50	2-33	4005337165
3	101117765	1	MOTOR 4 KW 3X230-400/50	2-41	4005337155
3	101117766	1	MOTOR 2 KW 1X230/50	2-25,2-26	4005337164
3	101117935	1	MOTOR 2.0 KW 1X220/60HZ	1x220/60, US,KR	4005337176
3	101117936	1	MOTOR 1.0 KW 1X115/60	1x115/60, US	4005337177
3	101117937	1	MOTOR 4.0 KW 220-440/3PH/60HZ	220-440/3/60	4005337177
4	301002298	2	SUSPENSION		4005337089
5	301002303	2	SPACER		4005337089
6	61467	2	HEXAGON NUT M8		4005337614
7	27372	2	SCREW M8X20 DIN 6921		4005337273
8	101117839	1	TERMINAL PLUG AND TERMINAL PINS		4005337179

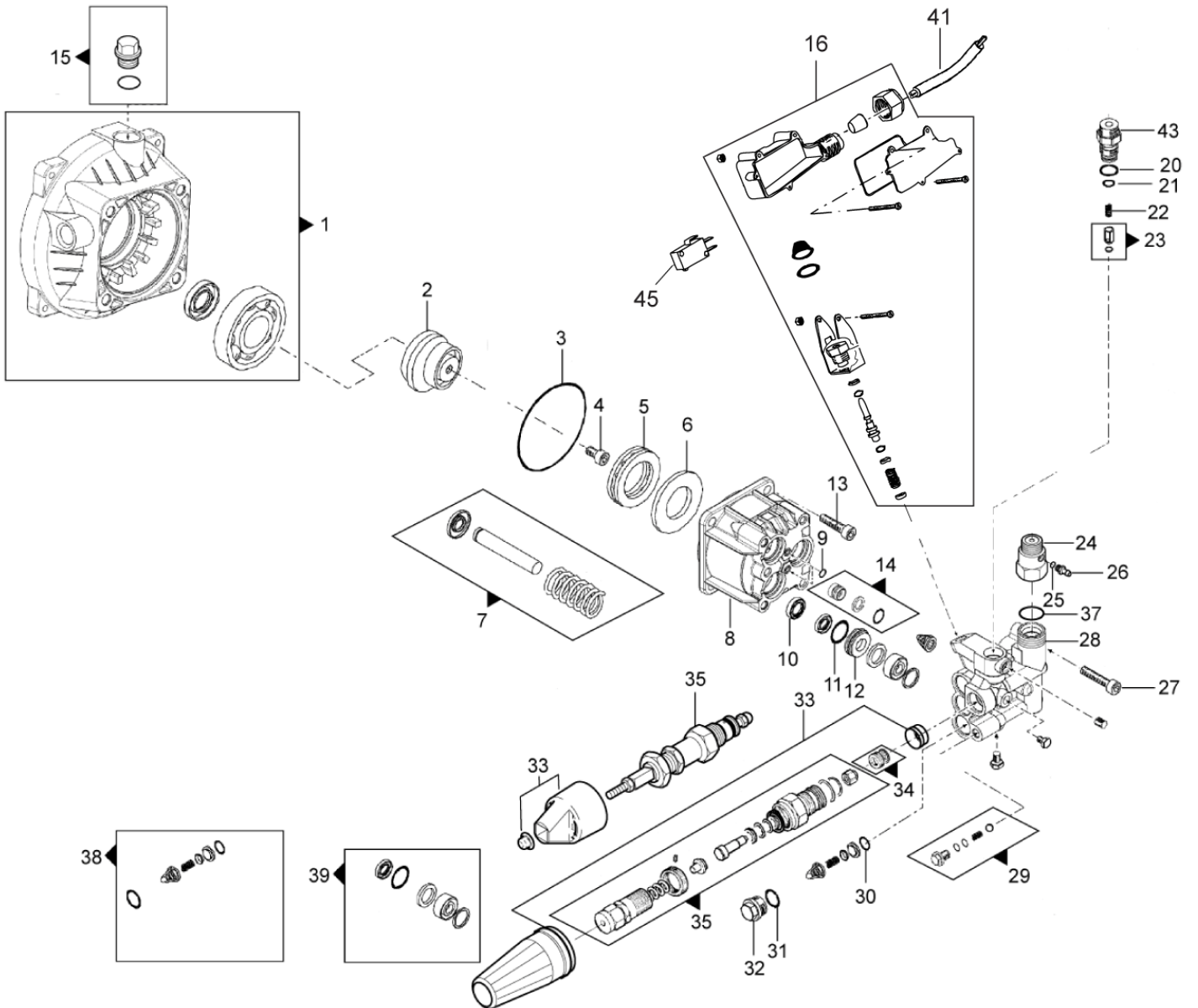
# Pump 1 (1ph)

NEPTUNE 2

06-06-2011

Part List ID  
NEPTUNE212

13



# Pump 1 (1ph)

NEPTUNE 2

06-06-2011

Part List ID  
NEPTUNE212

14

Pos	Part no.	Qty	Description		EAN
-	909100414	1	PUMP OIL ROTH A THT 1LTR	0,18 l	4005337103
1	101117789	1	D-BEARING COVER FOR GXR PUMP		
2	101117771	1	WOBBLE DISC 11.25 DEG. Z	2-25	4005337178
2	101117939	1	WOBBLE DISC 8 DGR.	2-26 KR	4005337177
2	101117954	1	WOBBLE DISC 7.5 DEG	2-20, 115/60/20 US	4005337177
2	301002567	1	WOBBLE DISC 10	US, Exp.	4005337106
2	301002568	1	WOBBLE DISC 9.5	2-26	4005337106
3	909100431	1	O-RING 85.0x3.0 SMS 1586 NBR70		4005337106
4	106162887	1	SCREW M8X22 UNI 5931-8,8		5701715423
5	909100432	1	ROLLER BEARING 51109		4005337106
6	301002557	1	PAD		4005337106
7	101117807	3	PISTON KIT FOR GXR CERAMIC		
8	301002560	1	PUMP HOUSING 1PH		4005337106
9	6480272	2	O-RING 2.9x1.78 ARP AS 568 A NBR70		5701715226
10	301002569	3	OIL SEAL		4005337107
11	106163024	3	O-RING 1.78X20.35 NBR 70SH		5701715423
12	301002570	3	PACKING RING Ø14/28X11,5		4005337107
13	106162887	4	SCREW M8X22 UNI 5931-8,8		5701715423
14	106162567	3	SUCTION VALVE PLUG KIT		5701715419
15	101117786	1	Oil cap kit	Up to Serial number: 2009887928/29/09	
15	101117918	1	OIL CAP KIT	See TSB-PPW-2010-010 oil cap	4005337173
16	101117656	1	START/STOP BOX KIT		
20	3002029	1	O-RING 12.42X1.78 NITRIL 70 SH		5701715038
21	103004325	1	O-RING 15.6X1.78 ARP AS 568 A EPDM70		5701715332
22	909100428	1	SPRING Ø 8X10		4005337106
23	106162556	1	CHECK VALVE KIT		5701715419
24	101117769	1	DETERGENT INLET FOR GXD		4005337155
25	101117776	1	O-RING 6.35X1.78 NBR 70		4005337155
26	101117953	1	SUCTION FITTING D2.0	JP + KR + EXPT + AU (2-16)	4005337177
26	101117984	1	SUCTION FITTING D1.7		4005337179
27	9543	4	CYLINDER SCREW M8X55 ISO 4762 ST 8.8/ZN		4005337095
28	301002545	1	VALVE BLOCK		4005337106
29	301003095	1	KIT EASY START FROM JULY 2006		4005337123
30	3002029	6	O-RING 12.42X1.78 NITRIL 70 SH		5701715038
31	3002045	6	O-RING 17.17X1.78 NITRIL 70 SH		5701715038
32	301002544	6	PLUG		4005337106
33	101117693	1	Handle cpl.		
33	62397	1	ROTARY KNOB	From Serie no. 2010929318	4005337623
34	101117686	1	Valve seat kit		
35	101117685	1	Regulation Valve assy		
35	101117917	1	END STOP VALVE	From Serie no. 2010929318	5715492059
37	3001237	1	GASKET 24.5X 16X3		5701715037

# Pump 1 (1ph)

NEPTUNE 2

06-06-2011

Part List ID  
NEPTUNE212

15

Pos	Part no.	Qty	Description	EAN
38	301002562	1	KIT VALVE (6X)	4005337106
39	301002561	1	KIT THRUST COLLAR	4005337106
41	101117772	1	Cable for pressure sw itch	
43	101117687	1	Injector body	
45	301002325	1	MICRO SWITCH	4005337099

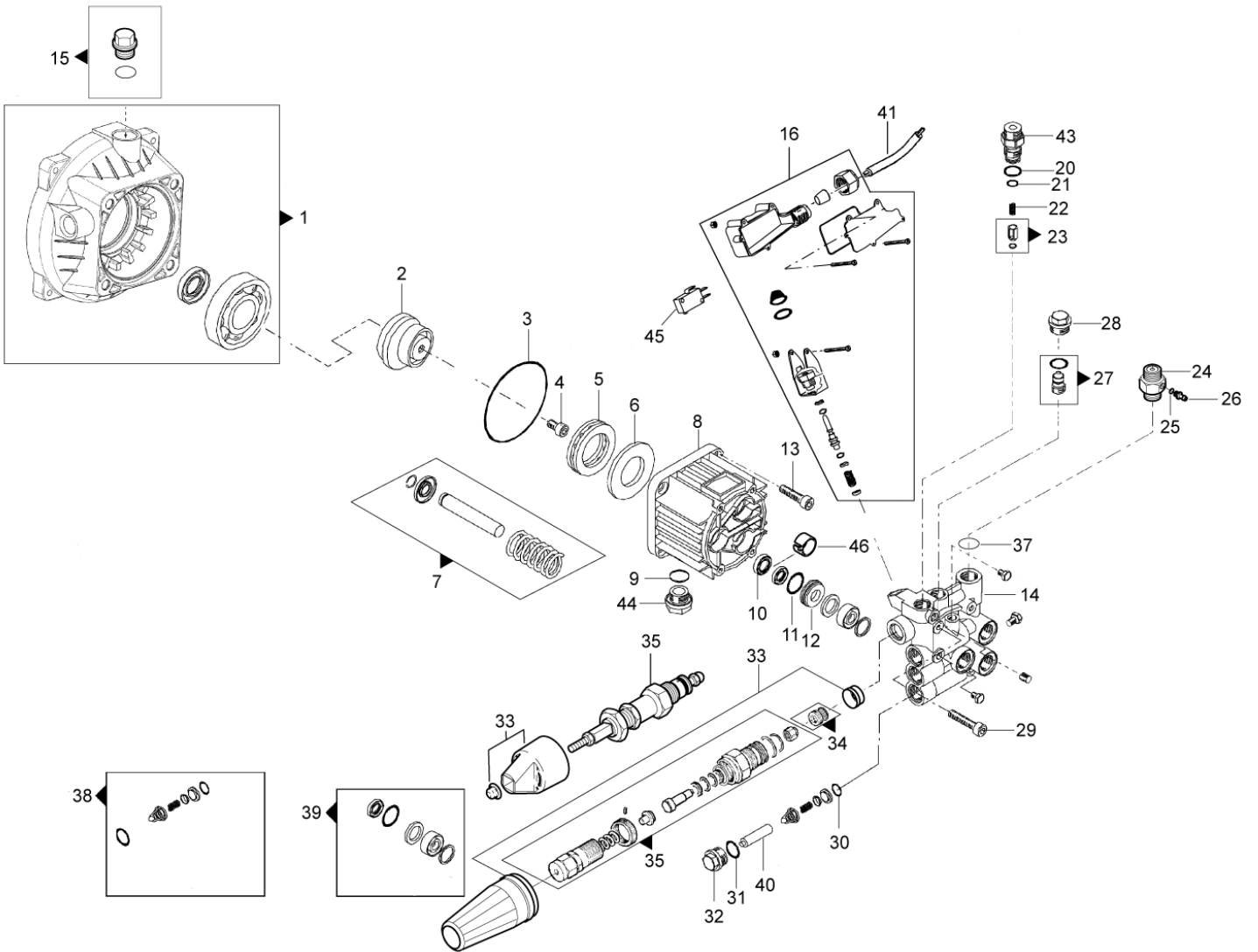
# Pump 2 (3ph)

NEPTUNE 2

06-06-2011

Part List ID  
NEPTUNE214

16





# Pump 2 (3ph)

NEPTUNE 2

06-06-2011

Part List ID  
NEPTUNE214

17

Pos	Part no.	Qty	Description		EAN
-	909100414	1	PUMP OIL ROTH A THT 1LTR	0,18 l	4005337103
1	101117788	1	D-BEARING COVER FOR AXR PUMP		
2	101117782	1	WOBBLE DISC 11.50 DEG. V	2-41	4005337177
2	301002568	1	WOBBLE DISC 9.5	2-33	4005337106
3	909100435	1	O-RING 92.0x3.0 SMS 1586 NBR70		4005337107
4	106162887	1	SCREW M8X22 UNI 5931-8,8		5701715423
5	909100432	1	ROLLER BEARING 51109		4005337106
6	301002557	1	PAD		4005337106
7	101117808	3	PISTON KIT FOR AXR CERAMIC		
8	301002584	1	PUMP HOUSING 3PH		4005337107
9	3000825	2	O-RING 20.24X2.62 NITRIL 70SH		5701715037
10	301002569	3	OIL SEAL		4005337107
11	106163031	3	O-RING 1.78X10.82 NBR 70SH		5701715423
12	301002586	3	PACKING RING Ø 14/28X11,5		4005337107
13	106162887	4	SCREW M8X22 UNI 5931-8,8		5701715423
14	301002575	1	VALVE BLOCK		4005337107
15	101117786	1	Oil cap kit	Up to Serial no. 2009887928/29/09 non vented	
15	101117918	1	OIL CAP KIT	See TSB-PPW-2010-010 oil cap	4005337173
16	101117656	1	START/STOP BOX KIT		
20	3002029	1	O-RING 12.42X1.78 NITRIL 70 SH		5701715038
21	103004325	1	O-RING 15.6X1.78 ARP AS 568 A EPDM70		5701715332
22	909100428	1	SPRING Ø 8X10		4005337106
23	106162556	1	CHECK VALVE KIT		5701715419
24	101117779	1	DETERGENT INLET		4005337155
24	101117957	1	WATER LIMITER KIT	EXPT. JP	4005337178
25	101117776	1	O-RING 6.35X1.78 NBR 70		4005337155
26	101117953	1	SUCTION FITTING D2.0	JP + KR + EXPT + AU (2-16)	4005337177
26	101117984	1	SUCTION FITTING D1.7		4005337179
27	301002578	4	PLUG		4005337107
28	301002577	1	PLUG		4005337107
29	1801455	4	HEX. SCREW M8X50 DIN EN 24018 8.8 ZN		5701715419
30	3002029	6	O-RING 12.42X1.78 NITRIL 70 SH		5701715038
31	3002045	6	O-RING 17.17X1.78 NITRIL 70 SH		5701715038
32	301002544	6	PLUG		4005337106
33	101117693	1	Handle cpl.		
33	62397	1	ROTARY KNOB	From serial no. 2010936745	4005337623
34	101117686	1	Valve seat kit		
35	101117685	1	Regulation Valve assy		
35	101117917	1	END STOP VALVE	From serial no. 2010936745	5715492059
37	106163051	1	COPPER WASHER		5701715471
38	301002562	1	KIT VALVE (6X)		4005337106
39	301002561	1	KIT THRUST COLLAR		4005337106

# Pump 2 (3ph)

NEPTUNE 2

06-06-2011

Part List ID  
NEPTUNE214

18

Pos	Part no.	Qty	Description	EAN
40	301002574	1	SPACER SLEEVE Ø 5	4005337107
41	101117772	1	Cable for pressure sw itch	
43	101117687	1	Injector body	
44	301002585	1	PLUG 1/2	4005337107
45	301002325	1	MICRO SWITCH	4005337099
46	31000287	1	SPACER KIT 3 PCS	5715492068

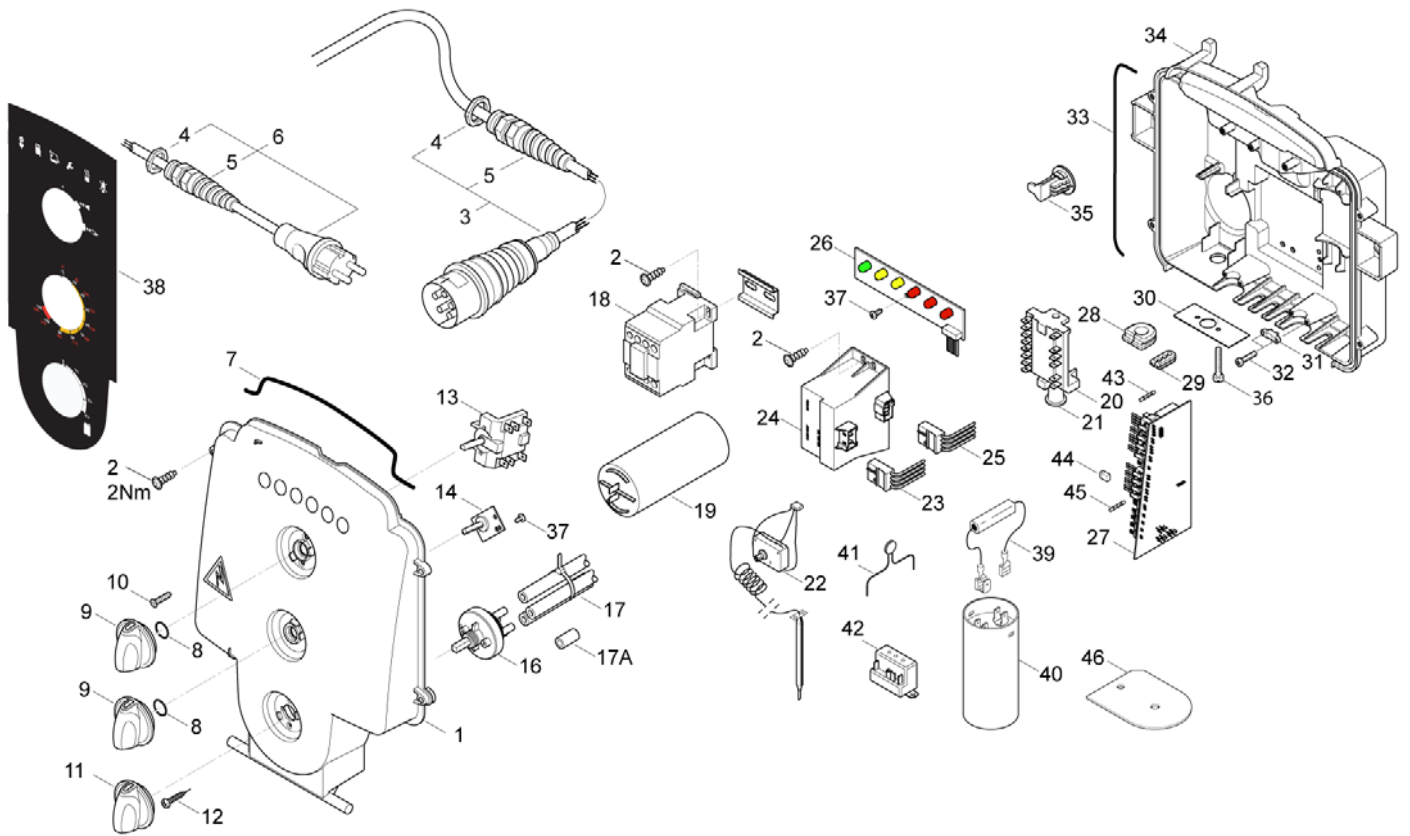
# EI-box

## NEPTUNE 2

06-06-2011

Part List ID  
NEPTUNE218

19



# EI-box

## NEPTUNE 2

06-06-2011

Part List ID  
NEPTUNE218

20

Pos	Part no.	Qty	Description		EAN
1	101117734	1	ELECTRIC BOX LID		4005337155
2	101814782	2	SCREW K50X18 WN 1451 TORX 20		4005337170
3	101117810	1	POWER C.H07RN 4G1.5 CEE5 GDN 6.3X0.8 KIT	2-33, 2-41	4005337160
3	101117811	1	POWER C.H07RN 4G1.5 GDN 6.3X0.8 KIT	2-33 NO	4005337161
4	909100019	1	HEXAGON THIN NUT M20X1.5 EN 50262 PA		4005337016
5	909100043	1	CABLE SCREWING W. ANTIBUC. M20X1.5		4005337679
6	101117809	1	POWER C.H07RN 3G1.5 CEE7 GDN 6.3X0.8 KIT	2-26	4005337160
6	101117812	1	POWER C.H07RN 3G1.5 BS13 GDN 6.3X0.8 KIT	2-25 GB	4005337161
6	101117944	1	POWER CORD SJTOW AWG 12-3 NEMA 5-20 GFCI	JS	4005337177
6	101117945	1	POWER CORD SJTOW AWG 12-3 NEMA 6-20 GFCIG	JS	4005337177
7	101117738	1	FOAM LIST FOR E-BOX		4005337155
8	9868	2	O RING DIA 10X2,5		4005337098
9	909100204	1	ROTARY KNOB 6X5 BLUE		4005337689
10	18274	2	COUNTERSUNK SCREW M4X12		4005337182
11	909100214	1	ROTARY KNOB GR.1 4KT. 6X6+8X8 BLUE		4005337026
12	1814730	2	SCREW 30X10B		5701715363
13	28877	1	SWITCH		4005337288
14	101117730	1	PCB FOR POTENTIOMETER		4005337155
15	101117729	1	CABLE BETWEEN MAIN PCB AND POTI		4005337155
16	301001000	1	VALVE 51X70		4005337028
17	5206636	1	HOSE 6/10		5701715046
18	103822301	1	CONTACTOR CJX2-D12-B7 24V		4005337165
18	103822306	1	CONTACTOR CJX2-D18-B7 24V		4005337178
19	101117946	1	CAPACITOR 100UF 450V W. STUD 1100MM CABL	JS, KR	4005337177
19	101117947	1	CAPACITOR 100UF 450V DOUBLE 6.3 FASTON	2-30 US	4005337177
19	101117948	1	CAPACITOR 70UF 400/450V DOUBLE FASTON	2-20 US, KR	4005337177
19	101118005	1	CAPACITOR 60 KIT	For machines using 2kW motor	4005337183
19	301002320	1	CAPACITOR 70MF /450V P0 FSH6.3		4005337099
20	301000293	1	SWITCH START/TRIANGLE 16		4005337672
21	64580	1	ROTARY KNOB		4005337645
22	101117723	1	EXH LIMIT SWITCH		4005337160
23	101117728	1	CABLE F. POWER TRANSF. PRIMARY 400VNO/US		4005337155
24	101117724	1	POWER TRANSFORMER 230/400-24/8V T70		4005337154
24	101117725	1	POWER TRANSF. 115/200VAC-24/8VAC T70		4005337154
24	101117726	1	POWER TRANSF. 220/460VAC-24/8VAC T70		4005337154
25	101117727	1	CABLE FOR POWER TRANSFORMER		4005337154
26	101117731	1	PCB FOR LCD		4005337160
27	101117732	1	MAIN PCB		4005337155
28	301002746	2	GROMMET CONNECTION HOSE		4005337115
29	101117735	4	CABLE GROMMET 3 HOLES		4005337155
30	101117736	1	LABEL FOR SWITCH 230 400 V		4005337155
30	101117737	1	LABEL FOR SWITCH 220 440 V		4005337155

# EI-box

## NEPTUNE 2

06-06-2011

Part List ID  
NEPTUNE218

21

Pos	Part no.	Qty	Description	EAN
31	3806262	1	STRAIN RELIEF BRACKET 27.	5701715042
32	909100046	2	SCREW 4X8	4005337679
33	101406054	2	SPONGE RUBBER 4 1M	5701715457
34	101117733	1	ELECTRIC BOX	4005337155
35	301001261	2	LOCKING BOLT Ø29X35	4005337042
36	101117739	2	PAN HEAD SCREW	4005337156
37	2759	2	HEXAGON NUT M4	4005337027
38	101117955	1	LABEL FOR E-BOX NEPTUNE 2	4005337177
39	301000402	1	RESISTANCE 15KOHM/7W	4005337680
40	301001056	1	STARTING CAPACITOR 98MF 330V W/O BOLT	4005337030
41	301002353	1	INRUSH CURRENT LIMITER 5 OHM / 5W	4005337083
42	101117969	1	START RELAY 4CR-1-785 KIT	4005337178
43	666666	1	NOTE COMMENT	5701715456
			New fuse	
44	53840	1	JUMPER 2 POL INSULATED	4005337538
45	3812385	1	FUSE 5X20 6.3A	5701715043
46	101118014	1	PLATE FOR CAPACITOR KIT	4005337183
			USA 1phase	
17A	301001906	1	CLOSING CAP Ø12X21.5	4005337068

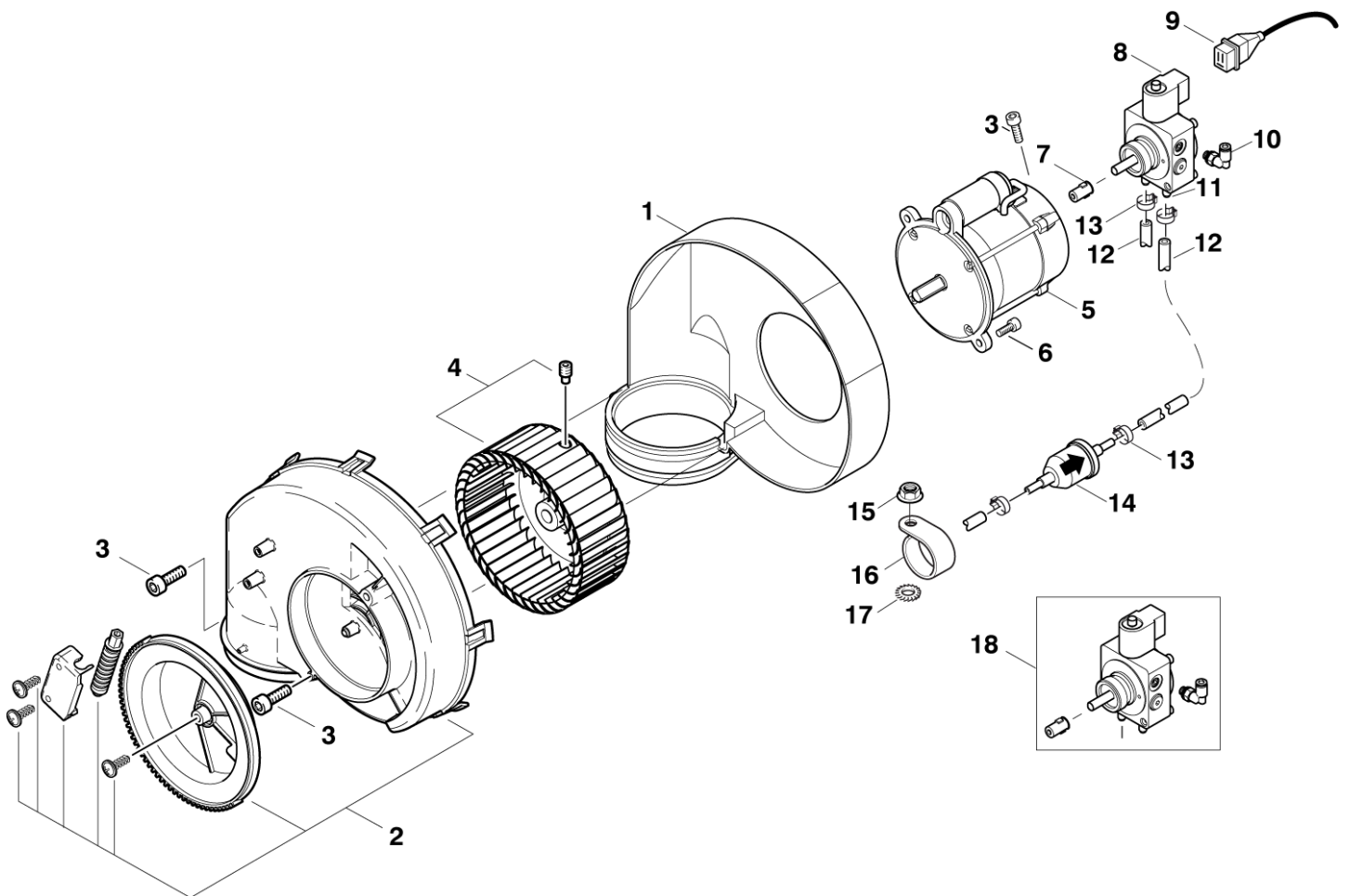
# Burner unit

NEPTUNE 2

06-06-2011

Part List ID  
NEPTUNE220

22



# Burner unit

NEPTUNE 2

06-06-2011

Part List ID  
NEPTUNE220

23

Pos	Part no.	Qty	Description	EAN
1	101117704	1	FAN HOUSING N2	4005337165
2	301000852	1	COVER FOR FAN HOUSING	4005337022
3	32535	3	SCREW M5X16	4005337325
4	301000889	1	FAN WHEEL Ø160X60	4005337023
5	101117709	1	BURNER MOTOR 390W - 200V USA, KR	4005337154
5	101117710	1	BURNER MOTOR 300W - 230V	4005337154
5	101117960	1	BURNER FAN 110-120V MOTOR KIT	4005337178
6	4697	2	SCREW M6X16	4005337046
7	101117707	1	COUPLING FOR OIL PUMP BFA 01 L3L	4005337154
8	3821089	1	COIL WITH NUT AND WASHER	5701715044
9	101117703	1	CABLE FOR OIL SOLENOIDE	4005337154
10	101117706	1	PUSH-IN ANGLE FITTING	4005337165
11	101117777	1	Hose connections for oil pump BFA 01 L3	
12	5226220	1	HOSE D6X2,5	5701715208
13	11654	2	HOSE CLAMP DIA 11,5	4005337116
14	301002926	1	INLINE FILTER 101X36.5X6 KU	4005337122
15	12496	1	HEXAGON NUT M6	4005337172
16	101117705	1	HOLDER FOR FUEL FILTER	4005337154
17	7062	1	SERRATED WASHER A 6.4 DIN 6797 ZN	4005337070
18	101117673	1	OIL PUMP INCL. FITTINGS	4005337152

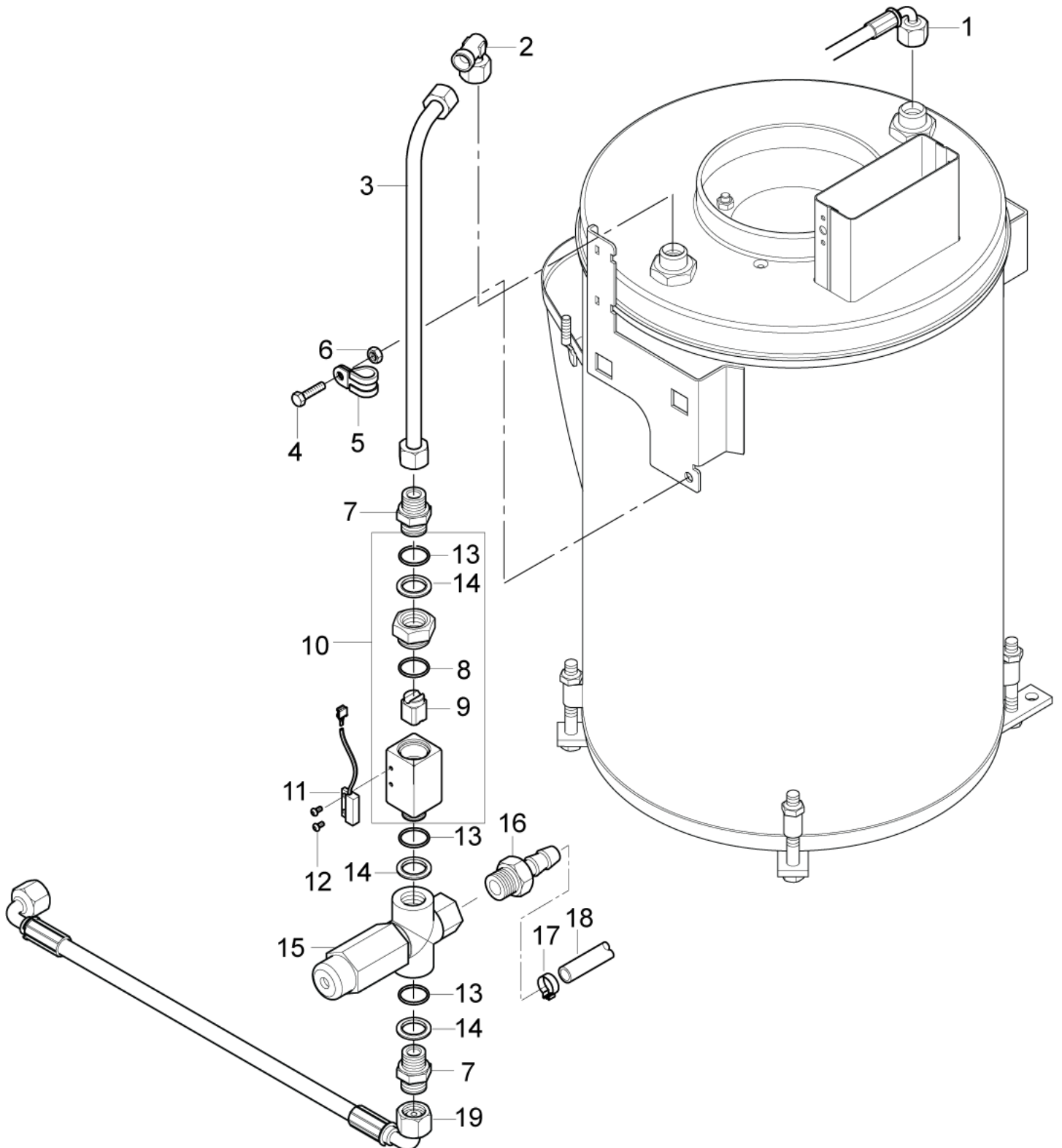
# Distributor, Flow switch

NEPTUNE 2

06-06-2011

Part List ID  
NEPTUNE222

24





# Distributor, Flow switch

NEPTUNE 2

06-06-2011

Part List ID  
NEPTUNE222

25

Pos	Part no.	Qty	Description	EAN
1	101117740	1	HP HOSE 295MM	4005337155
2	101117677	1	ANGLE FOR BOILER COMP	4005337152
3	101117676	1	STEEL PIPE COMP.	4005337165
4	4697	1	SCREW M6X16	4005337046
5	101117718	1	CLAMP FOR PIPE	4005337154
6	11619	1	HEX NUT M6 WITH PLASTIC RING ISO7042 A2K	4005337116
7	1601079	2	THREADED CONNECTION	5701715024
8	G120381	1	O-RING 18.00X2.00 N70	5701715431
9	101117716	1	MAGNET HOUSING CPL.	4005337165
10	101117675	1	FLOW SWITCH COMP.	4005337158
11	101117719	1	REED SWITCH FOR FLOW SWITCH	4005337154
12	101117717	2	SCREW TORX M3X6 ELECTRO PLATED DIN 7985	4005337154
13	16998	3	O-RING 14.0x1.5 NBR70	4005337169
14	1801075	3	PACKING RING Ø 23,8X Ø 17,2	5701715027
15	101117720	1	SAFETY VALVE ADJUSTED TO 146 BAR	4005337154
15	101117721	1	SAFETY VALVE ADJUSTED TO 234 +/-5 BAR	4005337154
15	101117722	1	SAFETY VALVE ADJUSTED TO 250 +/-5 BAR	4005337154
15	101117949	1	SAFETY VALVE ADJUSTED TO 110+2.5/-5 BAR	s 4005337177
15	101117950	1	SAFETY VALVE COMP. ADJUST 200+5/-5 BAR	AU,EU,US 4005337177
16	2580	1	HOSE LINER Ø 6 G3/8	4005337025
17	11654	1	HOSE CLAMP DIA 11,5	4005337116
18	5206054	1	HOSE EXT 12X3.0 BLUE	4005337171
19	101117715	1	HP HOSE 428MM	4005337154

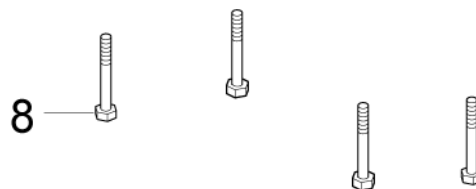
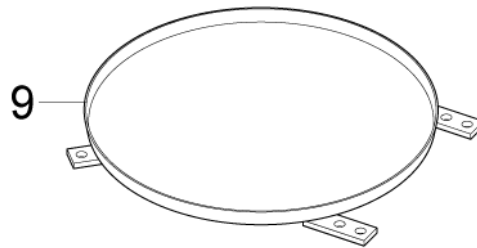
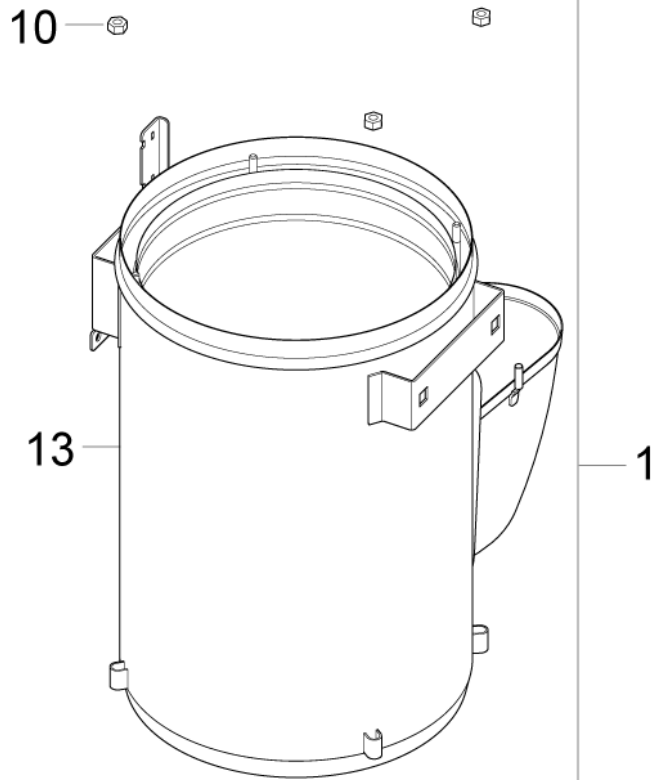
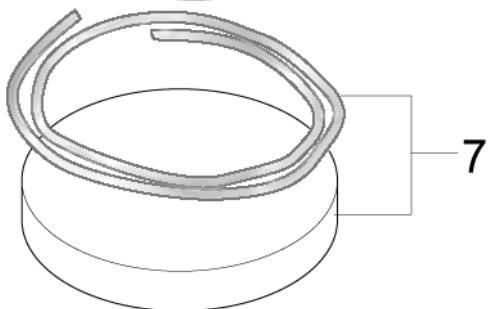
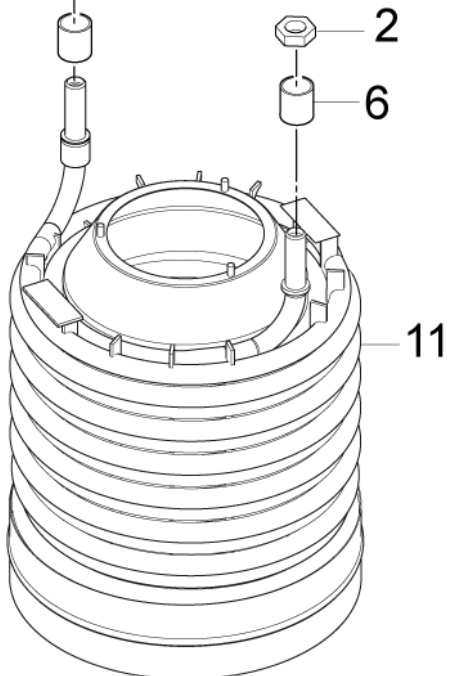
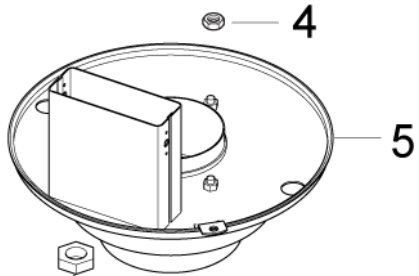
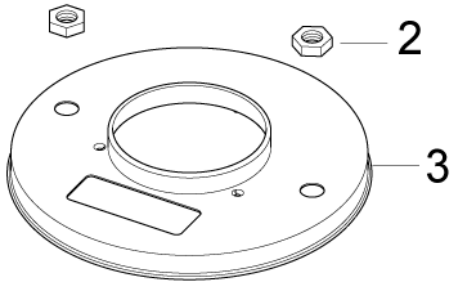
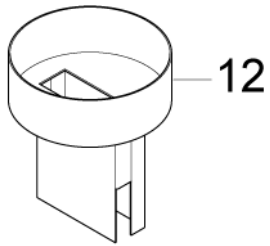
# Heat exchanger

NEPTUNE 2

06-06-2011

Part List ID  
NEPTUNE224

26



# Heat exchanger

NEPTUNE 2

06-06-2011

Part List ID  
NEPTUNE224

27

Pos	Part no.	Qty	Description	Accessories	EAN
1	101117754	1	BOILER N2		4005337156
1	101117783	1	NEPTUNE 2 BOILER W. STAINLESS STEEL COIL	accessory	5715492040
2	7012	4	HEXAGON NUT M18X1,5		4005337070
3	101117768	1	Boiler cover outer		
4	12263	4	HEXAGON NUT M6		4005337031
5	101117767	1	Boiler cover inner		
6	301000582	2	BUSHING Ø22X1.5X24		4005337024
7	101117684	1	Isolation kit Neptune 2		
8	3453	4	SCREW M8X60		4005337034
9	101117755	1	BOTTOM COVER BOILER		
10	2758	4	HEXAGON NUT M8		4005337027
11	101117790	1	COIL FOR B2 BOILER		
11	107145351	1	Stainless coil	accessory	
12	107145328	1	CHIMNEY ADAPTOR KIT	accessory	4005337159
13	101117916	1	BOILER JACKET		5715492048

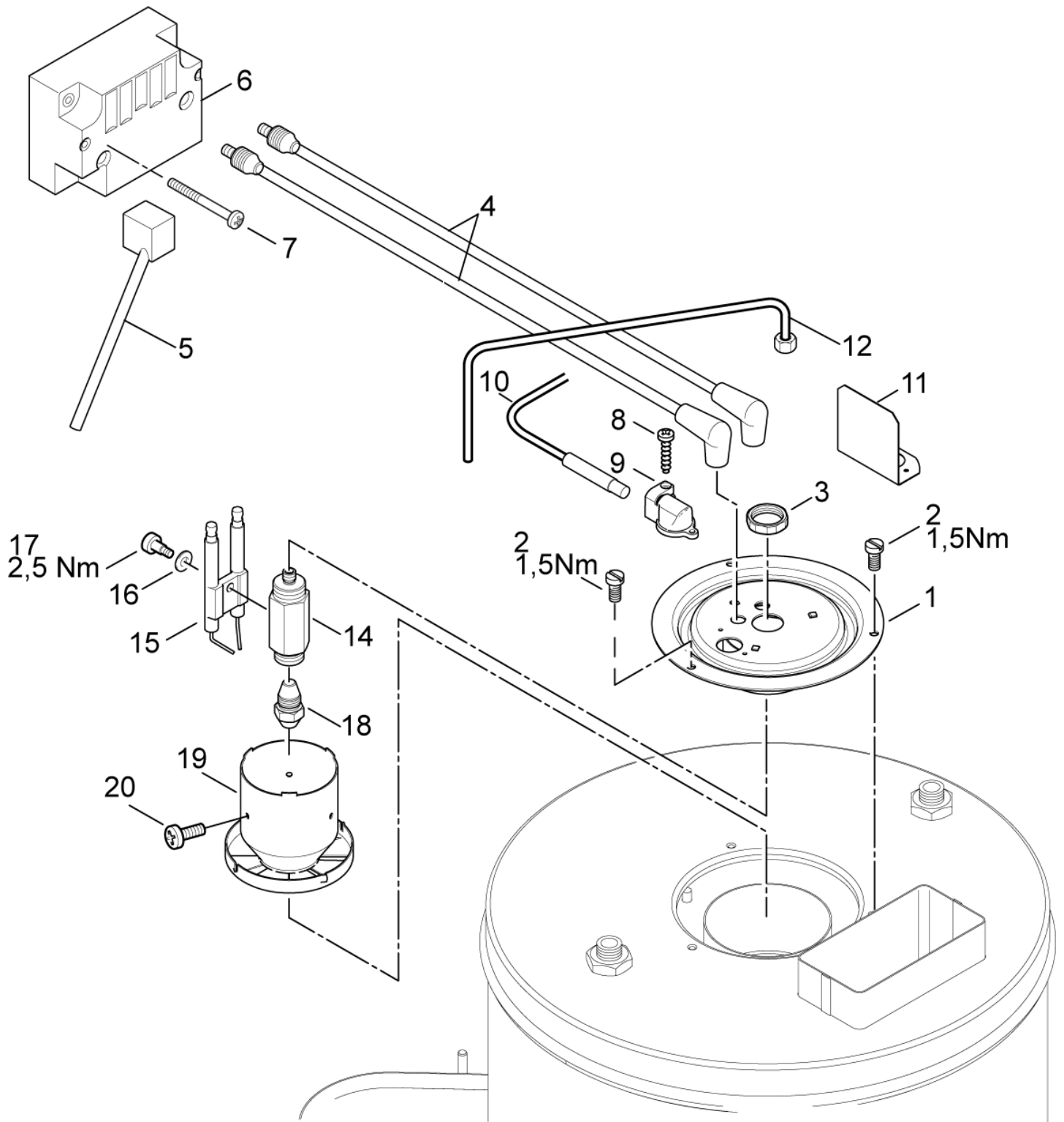
# Air distributor ignition transformer

NEPTUNE 2

06-06-2011

Part List ID  
NEPTUNE226

28



# Air distributor ignition transformer

NEPTUNE 2

06-06-2011

Part List ID  
NEPTUNE226

29

Pos	Part no.	Qty	Description	EAN
1	101117757	1	COVER FOR BOILER COMPLETE	4005337155
2	4820	3	SCREW M5X10	4005337048
3	909100139	1	HEXAGON NUT M20X1 24X6 CUZN	4005337023
4	101117760	1	IGNITION CORD 7X500 - DANFOSS 2 PCS	4005337155
4	301002505	1	IGNITION CORD	US 4005337104
5	101117756	1	PRIMARY CABLE FOR IGNITION COIL	4005337155
6	101117759	1	IGNITION TRANSF 220-240 50-60 - DANFOSS	4005337155
6	101117959	1	COFI TRH2-30CU VD 120V 50/60HZ	US 4005337178
7	42236	2	CYLINDER SCREW M5X45 ISO 1207 ZN	4005337422
8	5606	1	SCREW 2.9X19	4005337056
9	301000934	1	HOLDER FLAMESENSOR	4005337025
10	101117837	1	FLAME SENSORPLUG KIT	4005337171
11	101117922	1	PLATE FOR FLAME SENSOR KIT	4005337174
12	101117674	1	FUEL PIPE COMP.	4005337152
14	301001548	1	HOLDER OIL ATOMIZER SW22X65.5	4005337059
15	301150009	1	SPARE PART KIT FOR IGNITION ELECTRODE	4005337158
16	909100144	1	SPRING WASHER B5	4005337025
17	909100143	1	PAN HEAD SCREW M4X 4.5	4005337026
18	2802712	1	NOZZLE 1,0 GAL/H 3,72KG/	2-25, 2-33, 2-41 5701715115
18	301002856	1	FUEL NOZZLE 0.75 60 DEG.	2-26 4005337158
19	101117758	1	AIR DISTRIBUTOR	2-25, 2-33, 2-41 4005337155
19	301002848	1	BAFFLE PLATE D80 X 71.3	2-26 4005337119
20	51848	3	OVAL HEAD SCREW M3X4	4005337518

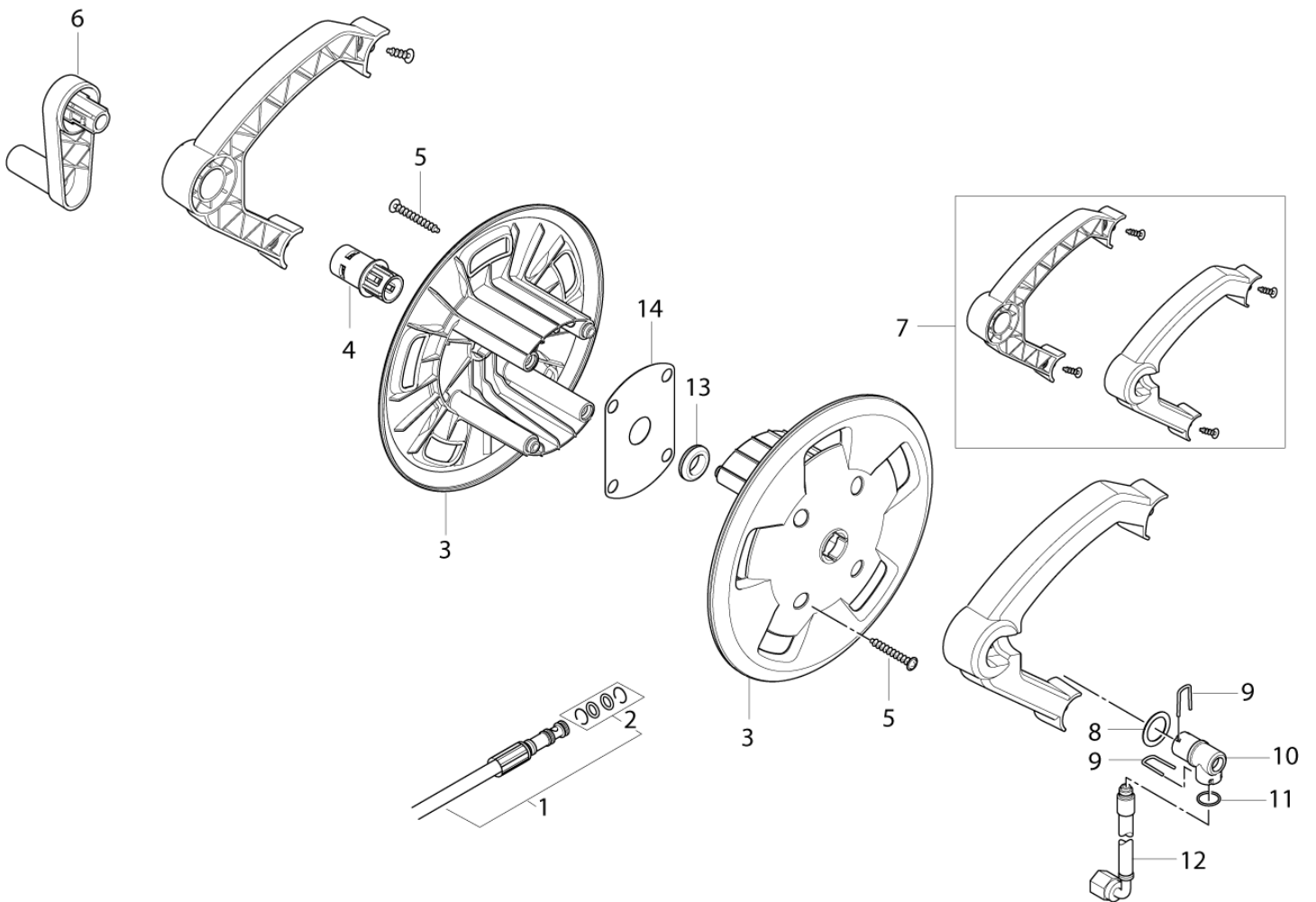
# Hose reel

NEPTUNE 2

06-06-2011

Part List ID  
NEPTUNE228

30



# Hose reel

NEPTUNE 2

06-06-2011

Part List ID  
NEPTUNE228

31

Pos	Part no.	Qty	Description	EAN
-	107145197	1	HOSE REEL CPL. FOR MOUNTING IN BOX	4005337154
1	101117763	1	HP HOSE DN6 15 FOR HW AND SWIVEL	4005337160
2	101117787	1	O-RING KIT 10x2 HNBR 90 SH W/BACKUP RIN	
3	6528570	2	HOSE REEL	5701715379
4	301002273	1	ADAPTOR	4005337089
5	1814641	4	SCREW SELF TAPPING 4.9X30	5701715268
6	6528569	1	HOSE REEL HANDL	5701715379
7	101117683	1	ADAPTORS FOR HOSE REEL COMP	4005337152
8	6127995	1	WASHER	5701715280
9	6526487	2	LOCK BRACKET SS	5701715239
10	6127990	1	CONNECTOR Ø14/Ø14	5701715419
11	101117762	1	O-RING 14.3X2.4 NBR 70 SHORE	4005337155
12	101117761	1	HP HOSE 600MM	4005337155
13	101117992	1	RUBBER BUSH F HOSE REEL KIT	4005337182
14	101117991	1	PLATE F. HOSE REEL KIT	4005337182

# Default accessories

NEPTUNE 2

06-06-2011

Part List ID  
NEPTUNE234

32

No Drawing For Part List



# Default accessories

NEPTUNE 2

06-06-2011

Part List ID  
NEPTUNE234

33

Pos	Part no.	Qty	Description		EAN
-	106402281	1	FLEXOPOWER PLUS 990 BEND W/O NOZ.	2010	4005337167
-	106403035	1	UNIVERSAL PLUS LANCE 1080 BEND W/O NOZZ	2010	4005337167
-	106403122	1	ERGO 2000 STANDARD W. HOSE SWIVEL	2010	4005337168
-	106403123	1	ERGO 2000 VARIO PRESS W. HOSE SWIVEL	2010	4005337168
0	101117783	1	NEPTUNE 2 BOILER W. STAINLESS STEEL COIL		5715492040
0	101119496	1	ERGO COUPLING KIT		5701715304
0	101119735	1	NOZZLE 0340 INDICATION RING VIOLET	2-26	5701715324
0	101119736	1	NOZZLE 0350 INDICATION RING BORDEAUX	2-26 KR	5701715324
0	101119737	1	NOZZLE 0370 INDICATION RING BRONZE	2-33	5701715324
0	101119738	1	NOZZLE 0400 INDICATION RING METAL GREY	2-41	5701715324
0	101119740	1	NOZZLE 0450 INDICATION RING LIGHT BLUE	2-30 US	5701715324
0	101119741	1	NOZZLE 0500 INDICATION RING YELLOW	2-20 US	5701715324
0	101119742	1	NOZZLE + INDICATION RING 0530	2-25 GB	5701715324
0	107145123	1	ANTI SCALE TANK CPL.		4005337152
0	107145197	1	HOSE REEL CPL. FOR MOUNTING IN BOX		4005337154
0	107145328	1	CHIMNEY ADAPTOR KIT		4005337159
0	107145337	1	SAND FILTER CPL.		4005337165
0	107145347	1	WALL MOUNTING BRACKET KIT		4005337154
0	301002275	1	10 M WIRE HOSE DN6		4005337089
1	106402141	1	FLEXOPOWER 3000 LANCE 920 W/O NOZZLE	Up to 2010	5701715324
1	106402163	1	UNIVERSAL 3000 LANCE 1020 W/O NOZZLE	Up to 2010	5701715324
1	301002410	1	ERGO 1000	Up to 2010	4005337088

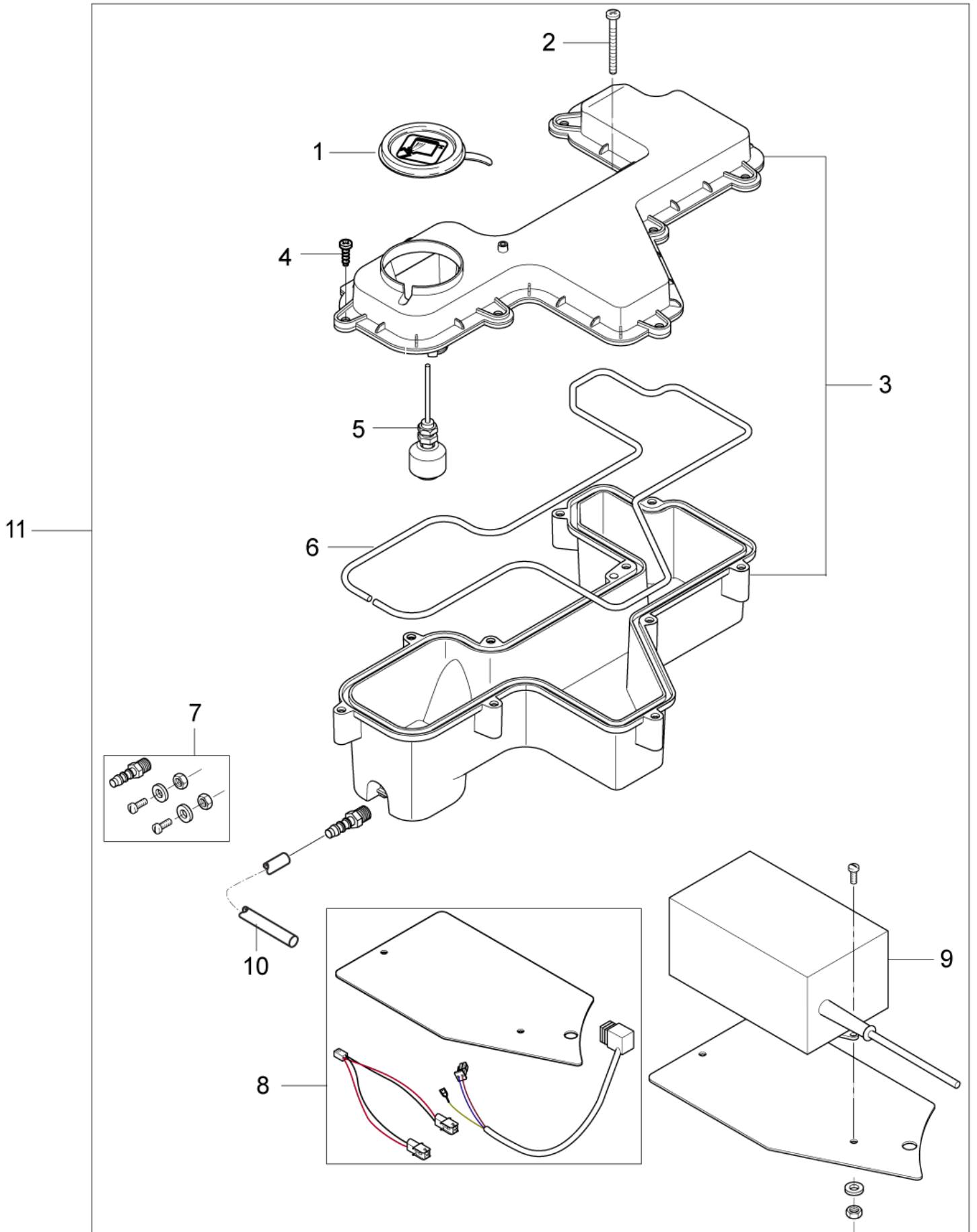
# Anti scale

NEPTUNE 2

06-06-2011

Part List ID  
NEPTUNE230

34



# Anti scale

NEPTUNE 2

06-06-2011

Part List ID  
NEPTUNE230

35

Pos	Part no.	Qty	Description	EAN
1	45646	1	COVER	4005337456
2	1814733	1	SCREW K50X50 TORX BLACK	5701715363
3	101117701	1	ANTISCALE TANK PLASTIC KIT	4005337154
4	101814782	10	SCREW K50X18 WN 1451 TORX 20	4005337170
5	101117700	1	ANTISTONE SENSOR WITH CABLE	4005337165
6	101117796	1	SILICONE GASKET D3X1	4005337159
7	101117831	1	SCREW FITTING F MOUNTING ANTISCALE PUMP	4005337163
8	101117834	1	WIRES AND PLATE-ANTISCALE- FOR NEPTUNE 2	4005337163
9	101117826	1	ANTISCALE PUMP ST-15 35 ML WITH PLUG 24V	4005337169
10	101117833	1	HOSE D3/D5 TRANSPARENT 0.6MM KIT	4005337163
11	107145123	1	ANTI SCALE TANK CPL.	4005337152

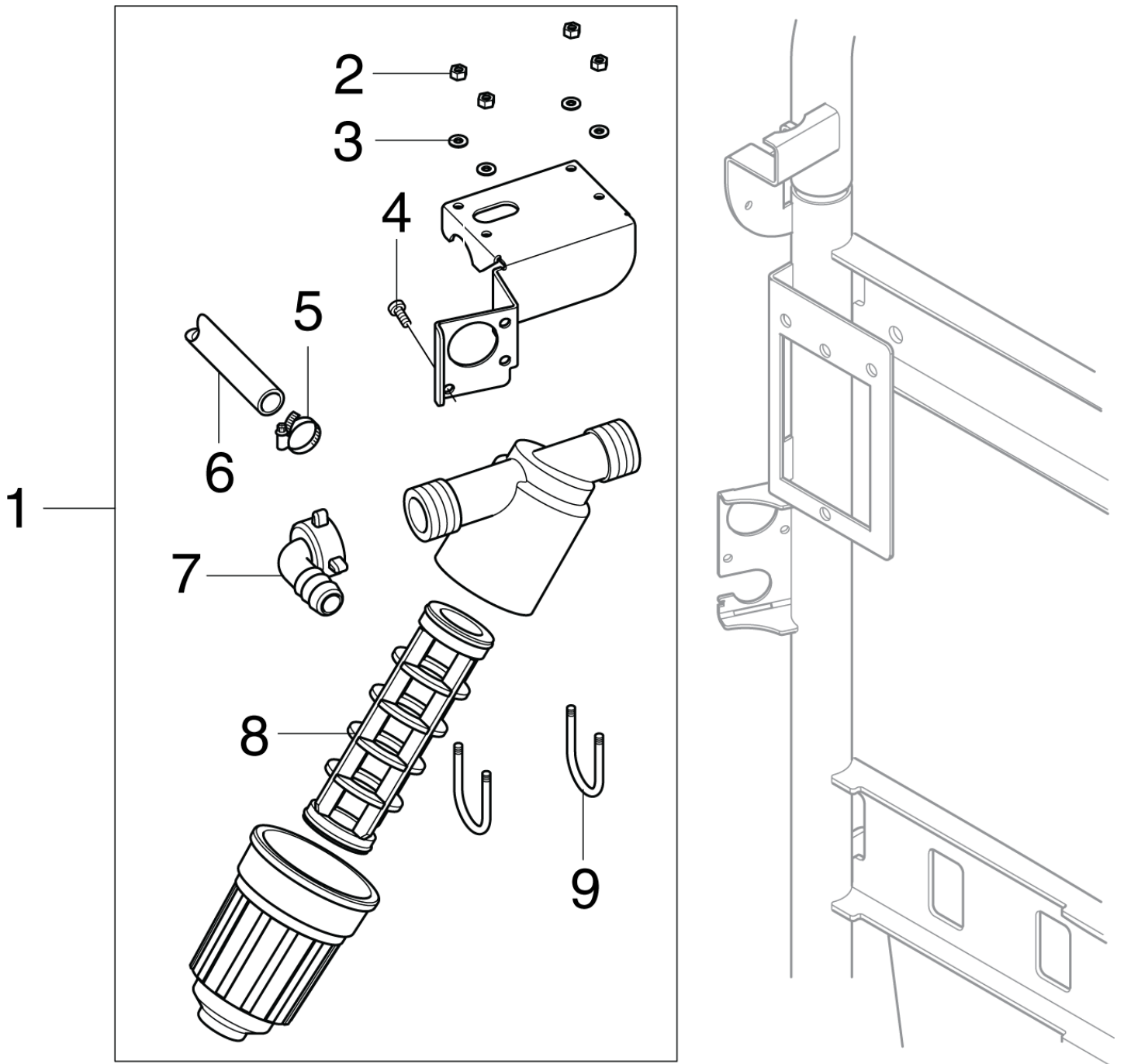
# Sandfilter NEPTUNE 1 + 2

NEPTUNE 2

06-06-2011

Part List ID  
NEPTUNE232

36



# Sandfilter NEPTUNE 1 + 2

NEPTUNE 2

06-06-2011

Part List ID  
NEPTUNE232

37

Pos	Part no.	Qty	Description	EAN
1	107145337	1	SAND FILTER CPL.	4005337165
2	1800127	4	LOCK NUT M4 8.8 A2K DIN 985	5701715026
3	3092	4	WASHER 4.3X0.8	4005337030
4	1803030	3	SREW CROSS M5 X 12 FZB DIN7985	5701715028
5	9262	1	HOSE CLIP 12-20	4005337092
6	5206230	1	HOSE 5/8 16 MM 10 BAR DIN 73411	4005337171
7	5613	1	HOSE NOZZLE	4005337056
8	31000110	1	FINE SAND INSERT 22MICRON	
9	G040179	2	CLAMP FOR FILTER D4X97	5701715425

# Recommended Spare Parts

NEPTUNE 2

06-06-2011

Part List ID  
NEPTUNE236

38

No Drawing For Part List

# Recommended Spare Parts

NEPTUNE 2

06-06-2011

Part List ID  
NEPTUNE236

39

Pos	Part no.	Qty	Description	EAN
0	101117656	1	START/STOP BOX KIT	
0	101117673	1	OIL PUMP INCL. FITTINGS	4005337152
0	101117675	1	FLOW SWITCH COMP.	4005337158
0	101117684	1	Isolation kit Neptune 2	
0	101117685	1	Regulation Valve assy	
0	101117700	1	ANTISTONE SENSOR WITH CABLE	4005337165
0	101117709	1	BURNER MOTOR 390W - 200V	4005337154
0	101117710	1	BURNER MOTOR 300W - 230V	4005337154
0	101117719	1	REED SWITCH FOR FLOW SWITCH	4005337154
0	101117720	1	SAFETY VALVE ADJUSTED TO 146 BAR	4005337154
0	101117723	1	EXH LIMIT SWITCH	4005337160
0	101117724	1	POWER TRANSFORMER 230/400-24/8V T70	4005337154
0	101117730	1	PCB FOR POTENTIOMETER	4005337155
0	101117731	1	PCB FOR LCD	4005337160
0	101117732	1	MAIN PCB	4005337155
0	101117759	1	IGNITION TRANSF 220-240 50-60 - DANFOSS	4005337155
0	101117760	1	IGNITION CORD 7X500 - DANFOSS 2 PCS	4005337155
0	101117762	1	O-RING 14.3X2.4 NBR 70 SHORE	4005337155
0	101117784	1	FLOAT VALVE	4005337155
0	101117787	1	O-RING KIT 10x2 HNBR 90 SH W/BACKUP RIN	
0	101117807	1	PISTON KIT FOR GXR CERAMIC	1PH ONLY
0	101117808	1	PISTON KIT FOR AXR CERAMIC	3PH ONLY
0	101117837	1	FLAME SENSORPLUG KIT	4005337171
0	103822301	1	CONTACTOR CJX2-D12-B7 24V	4005337165
0	106162556	1	CHECK VALVE KIT	5701715419
0	106162567	1	SUCTION VALVE PLUG KIT	1PH ONLY 5701715419
0	1604222	1	STRAINER	5701715025
0	16998	1	O-RING 14.0x1.5 NBR70	4005337169
0	1801075	1	PACKING RING Ø 23,8X Ø 17,2	5701715027
0	2802712	1	NOZZLE 1,0 GAL/H 3,72KG/	5701715115
0	28877	1	SWITCH	4005337288
0	301000293	1	SWITCH START/TRIANGLE 16	4005337672
0	301001000	1	VALVE 51X70	4005337028
0	301001261	1	LOCKING BOLT Ø29X35	4005337042
0	301002320	1	CAPACITOR 70MF /450V P0 FSH6.3	4005337099
0	301002561	1	KIT THRUST COLLAR	4005337106
0	301002562	1	KIT VALVE (6X)	4005337106
0	301002578	1	PLUG	3PH ONLY 4005337107
0	301002926	1	INLINE FILTER 101X36.5X6 KU	4005337122
0	301003095	1	KIT EASY START FROM JULY 2006	1PH ONLY 4005337123
0	301150009	1	SPARE PART KIT FOR IGNITION ELECTRODE	4005337158
0	3821089	1	COIL WITH NUT AND WASHER	5701715044

# Recommended Spare Parts

NEPTUNE 2

06-06-2011

Part List ID  
NEPTUNE236

40

Pos	Part no.	Qty	Description	EAN
	6127995	1	WASHER	5701715280
0	909100204	1	ROTARY KNOB 6X5 BLUE	4005337689
0	909100214	1	ROTARY KNOB GR.1 4KT. 6X6+8X8 BLUE	4005337026