

# POSEIDON 5 I03.2008->

Model:

POSEIDON 5-32  
POSEIDON 5-41  
POSEIDON 5-47  
POSEIDON 5-52  
POSEIDON 5-55  
POSEIDON 5-59  
POSEIDON 5-61



Part List US-English

24-05-2011

**Nilfisk**  
**ALTO**  
works for you

[www.nilfisk-alto.com](http://www.nilfisk-alto.com)

# Table of Contents

POSEIDON 5 I03.2008->

<b>Frame</b>	<b>3</b>
<b>Cabinet</b>	<b>5</b>
<b>Electric box</b>	<b>7</b>
<b>Motor</b>	<b>10</b>
<b>Cylinder head</b>	<b>13</b>
<b>Unloader</b>	<b>15</b>
<b>Hose reel POSEIDON 5</b>	<b>17</b>
<b>Default accessories</b>	<b>19</b>
<b>Recommended spare parts</b>	<b>21</b>

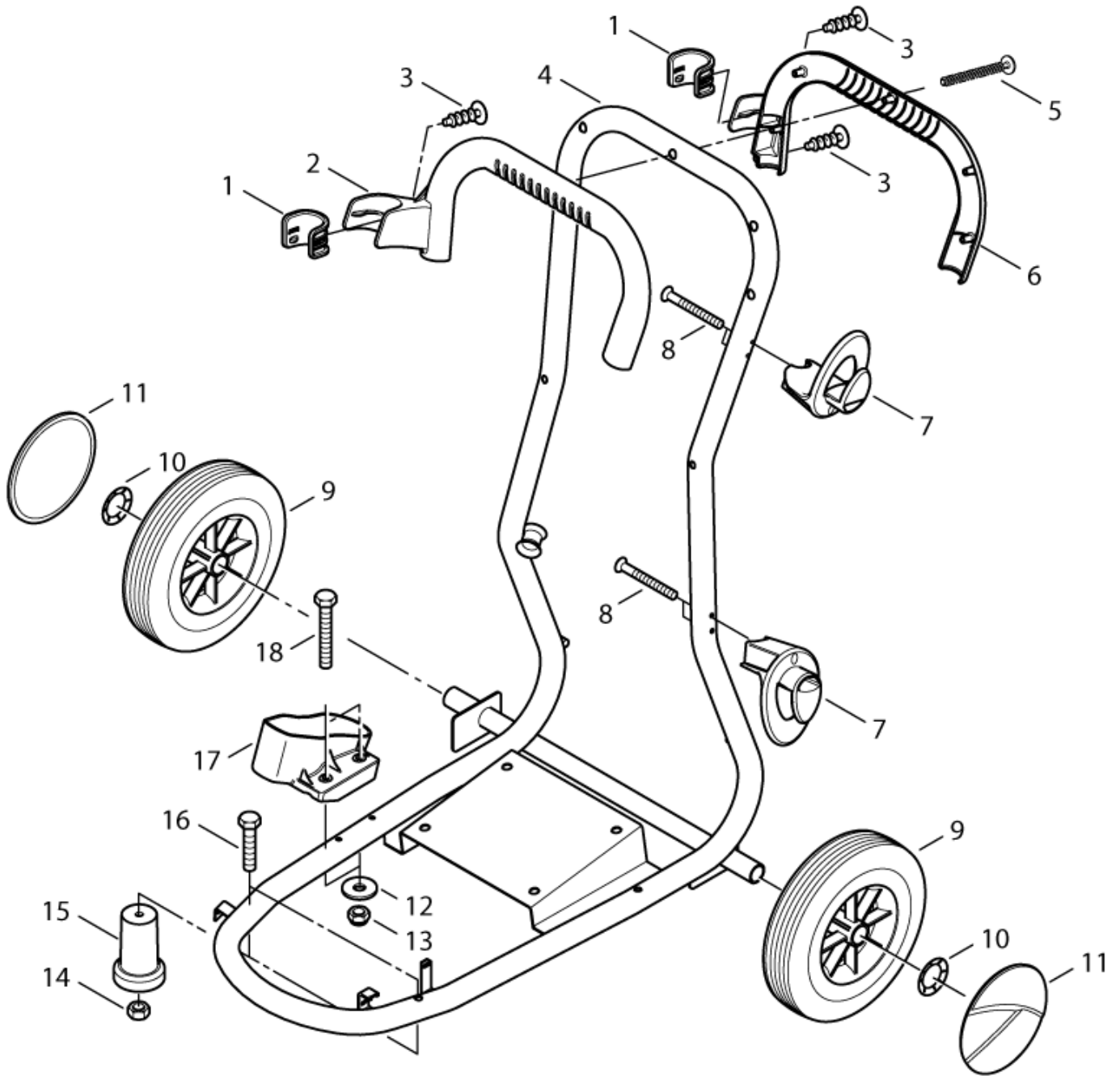
# Frame

POSEIDON 5 I03.2008->

24-05-2011

Part List ID  
POSSN12

3



# Frame

POSEIDON 5 I03.2008->

24-05-2011

Part List ID  
POS5N12

4

Pos	Part no.	Qty	Description	EAN
1	101117995	2	INSERT FOR HANDLE	4005337182
2	101117962	1	FRONT HANDLE CLAMP	4005337178
3	909100147	3	SCREW 4X12	4005337026
4	301002896	1	BASE FRAME POSEIDON 5 VERSION A	4005337138
5	909100187	5	SCREW K40X25 T20 WN1452 BLACK-ZN	4005337052
6	101117963	1	REAR HANDLE CLAMP	4005337178
7	301000808	2	HOLDER 121X91X83 FOR HOSE W/O.CABEL PA	4005337024
8	909100149	4	SCREW K50X50 T25 WN1453	4005337026
9	301000989	2	WHEEL Ø250X75	4005337027
10	1813799	2	SPRING PLATE WASHER	5701715031
11	301001076	2	WHEEL CAP Ø180	4005337031
12	2766	2	WASHER 6.4X1.6	4005337027
13	11619	2	HEX NUT M6 WITH PLASTIC RING ISO7042 A2K	4005337116
14	61467	2	HEXAGON NUT M8	4005337614
15	301000979	2	SUSTAINER Ø62X94	4005337026
16	2756	2	SCREW M8X45	4005337027
17	301000774	1	HOLDER 160X100X65 PA	4005337024
18	17749	2	HEXAGON HEAD CAP SCREW	4005337177

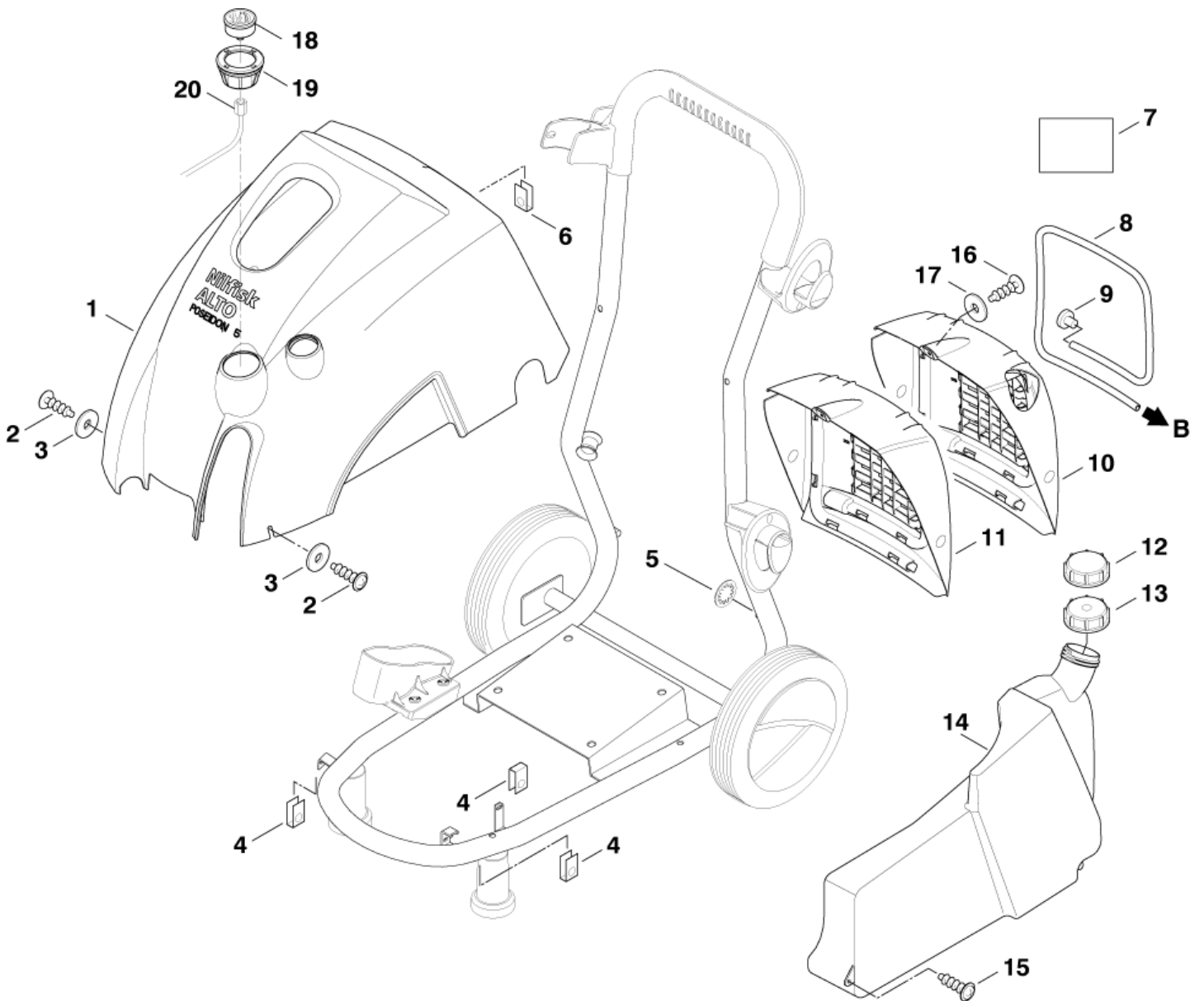
# Cabinet

POSEIDON 5 I03.2008->

24-05-2011

Part List ID  
POS5N14

5



# Cabinet

POSEIDON 5 I03.2008->

24-05-2011

Part List ID  
POS5N14

6

Pos	Part no.	Qty	Description	EAN
1	301003166	1	COVER POSEIDON 5 BLUE 100150 PP	4005337138
2	40107	2	SCREW 4.8X13	4005337401
3	2763	2	WASHER 5.3X1	4005337027
4	63946	3	SPRING NUT 4.8X3	4005337639
5	5639	1	CLAMPING RING 10X2	4005337056
6	909100161	1	SPRING NUT 3.9X2.5	4005337035
7	48083	1	LABEL 40X60 G	4005337480
8	5206636	1	HOSE 6/10	5701715046
9	6400240	1	FILTER	5701715097
10	301000759	1	REAR COVER BLACK PP	4005337024
			ON MODELS WITH HOSE REEL	
11	301000838	1	REAR COVER F. MACHINES W/HOSE REEL	4005337024
			ON MODELS WITHOUT HOSE REEL	
12	80493	1	COVER-CAN 65X22	4005337804
13	301001004	1	CLOSING CAP W.HOLE Ø65X22	4005337028
14	301002931	1	DETERGENT TANK	4005337158
15	40107	1	SCREW 4.8X13	4005337401
16	30776	1	SHEET METAL SCREW 3.9X16	4005337307
17	24353	1	WASHER 4.3X1	4005337243
18	6528559	1	MANOMETER 0-315 BAR WHITE	5701715379
19	101117690	1	HOLDING RING F. PRESSURE GAUGE	4005337152
20	107144028	1	MANOMETER TUBE CPL.	4005337150

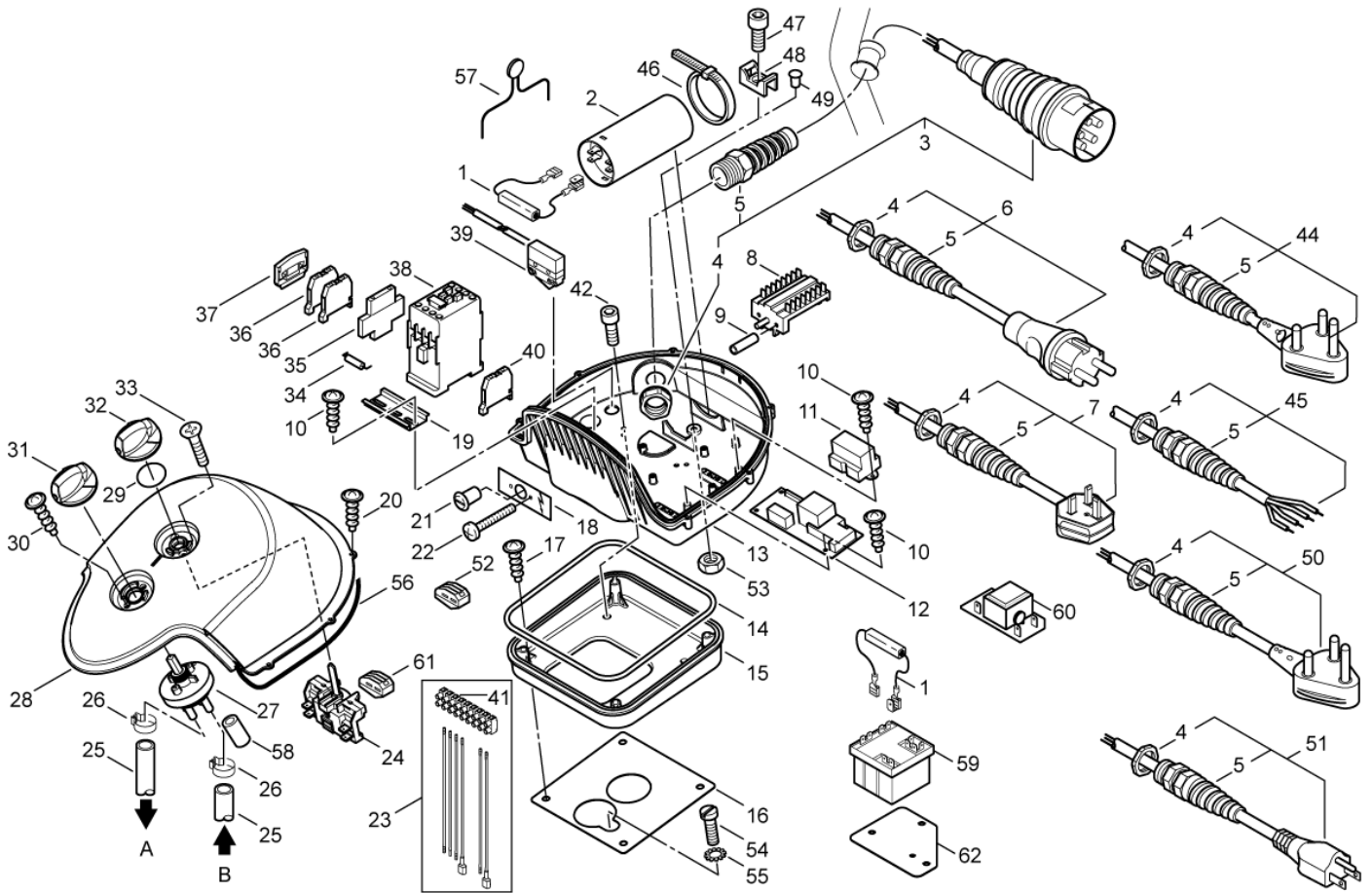
# Electric box

POSEIDON 5 I03.2008->

24-05-2011

Part List ID  
POS5N10

7



# Electric box

## POSEIDON 5 I03.2008->

24-05-2011

Part List ID  
POS5N10

8

Pos	Part no.	Qty	Description		EAN
1	301000402	1	RESISTANCE 15KOHM7W	5-32, 5-52	4005337680
2	301001056	1	STARTING CAPACITOR 98MF 330V W/O BOLT	5-32, 5-52	4005337030
3	301000834	1	POWER CORD H07RN-F4G1.5X6	400/3/50 *EU*	4005337021
4	909100019	1	HEXAGON THIN NUT M20X1.5 EN 50262 PA		4005337016
4	909100020	1	HEXAGON THIN NUT M25X1.5 EN 50262 PA	5-47, 5-52, 5-59	4005337017
5	909100043	1	CABLE SCREWING W. ANTIBUC. M20X1.5		4005337679
5	909100198	1	SCREWED CABLE GLAND M25X1.5	5-47, 5-52, 5-59	4005337056
6	301000829	2	POWER CORD H07RN-F 3G1.5X6.0	230/1/50 *EU*, 220/1/60*TW*KR*	4005337021
7	301000912	1	POWER CORD H07RN-F 3G1.5X6.0	230/1/50 *GB*	4005337023
8	301000293	1	SWITCH START/TRIANGLE 16	220/440/3/60 *US*KR*TW*	4005337672
8	64579	1	SWITCH START/TRIANGLE 16A	230/400/3/50 *BE*NO*	4005337645
9	64581	2	PIPE D10XD4X20 BLACK POM	* SEE NOTE	4005337645
10	909100046	2	SCREW 4X8		4005337679
11	101117996	1	START RELAY RVA 4N3D SPAREPART	UK	4005337187
11	11060	1	STARTER RELAY 220V AC	5-32	4005337110
12	301001104	1	ELECTRONICS F. COLD WATER W. MICROSWITCH	** SEE NOTE	4005337032
13	301002899	1	EL-BOX BASE		4005337138
14	101406054	1	SPONGE RUBBER 4 1M		5701715457
18	64586	1	LABEL	230/400/3/50 *BE*NO*	4005337645
18	64787	1	LABEL 220-440V CHANGE-OVER 74X28	220/440/3/60*US*KR*TW*	4005337647
19	22290	1	MOUNTING RAIL TS35 ST/ZN		4005337222
20	1814585	6	PT-SCREW K30X12 WN1452 - BLACK TORX		5701715121
21	64580	1	ROTARY KNOB	* SEE NOTE	4005337645
22	40045	2	PAN HEAD SCREW M4X30	* SEE NOTE	4005337400
23	101117855	1	POSEIDON MOTOR CABLE 7-WIRE 1PH 1.5MM2	230/1/50,60, 120/1/60	4005337185
23	101117856	1	POSEIDON MOTOR CABLE 9-WIRE 3PH 1.5MM2	400/3/50	4005337185
23	101117857	1	POS. MOTOR CABLE 9-WIRE 3PH 1.5MM2 NO	* SEE NOTE	4005337185
23	101117858	1	POSEIDON MOTOR CABLE 9-WIRE 3 PH 2.5MM2	200/3/50,60, 220/1/60*US*	4005337185
24	301001058	1	CAM SWITCH 0-1 10A 400VAC		4005337030
25	5206636	1	HOSE 6/10		5701715046
26	301001133	2	HOSE CLAMP 10/7		4005337033
27	301001000	1	VALVE 51X70		4005337028
28	301000767	1	EL-BOX COVER PP		4005337024
29	9868	1	O RING DIA 10X2,5		4005337098
30	1814730	2	SCREW 30X10B		5701715363
31	909100214	1	ROTARY KNOB GR.1 4KT. 6X6+8X8 BLUE		4005337026
32	909100204	1	ROTARY KNOB 6X5 BLUE		4005337689
33	18274	2	COUNTERSUNK SCREW M4X12		4005337182
34	301000074	1	RESISTOR 470 OHM 3W	* SEE NOTE	4005337008
35	64773	1	AUXILIARY CONTACT 100-SBL11	* SEE NOTE	4005337647
36	301000687	2	WIRE TERMINAL 2X2.5MM	5-32, 5-52	4005337691

\* NOTE: 230/400/3/50 \*BE\*NO\*, 220/440/3/60 \*US\*KR\*TW\*

\*\* NOTE: 5-32, 5-47, 5-52, 5-55\*KR\*TW\*, 5-59, 5-61\*KR\*TW\*, DSS



# Electric box

## POSEIDON 5 I03.2008->

24-05-2011

Part List ID  
POS5N10

9

Pos	Part no.	Qty	Description		EAN
37	301000689	1	END PLATE GREY 4MM TYP 264	5-32	4005337691
38	103822303	1	CONTACTOR CJX2-1810 N7 400V	400/3/50	4005337165
38	103822304	1	CONTACTOR CJX2-D18-P7 230V	220,230/1/50,60	4005337178
38	103822309	1	CONTACTOR CJX2-D25-P7 230V	* SEE NOTE	4005337178
38	103822310	1	CONTACTOR CJX2-D25-M7 200V	200/3/50,60	5715492057
38	103822311	1	CONTACTOR CJX2-D25-F7 110V	120/1/60	5715492057
38	103822315	1	CONTACTOR CJX2-D32-M7 220V	220/1/60	4005337165
39	101118011	1	END SWITCH 250V 5A W.WIRE FSH/FS 6.3 KIT	MITHOUT, OHNE ELECTRONICS	4005337184
39	301000952	1	END SWITCH 250V 0.1A W. WIRE 2X0.25 JST	WITH, MIT ELECTRONICS	4005337026
40	14506	1	WIRE TERMINAL 10QMM	5-52	4005337145
40	3817483	1	TERMINAL STRIP EARTH. WK4 SL/U		5701715043
41	101117839	1	TERMINAL PLUG AND TERMINAL PINS		4005337179
42	10369	4	SCREW M5X25	5-52	4005337103
42	32535	4	SCREW M5X16	5-43, 5-47, 5-52, 5-55, 5-59, 5-61	4005337325
44	301000407	1	POWER CORD SJOW AWG10/3X9.0	220/1/60*US*	4005337680
45	301000833	1	POWER CORD H07RN-F 4G2.5X6.0	* SEE NOTE	4005337021
45	301001384	1	POWER CORD VCT 4X3.5X6	200/3/50,60 *JP*	4005337041
45	301001466	1	POWER CORD SJOW AWG12/4X11	220,460/3/60*US*	4005337045
46	15884	1	CABLE STRAP 4,7X1,3X350	5-32, 5-52	4005337158
47	3288	1	SCREW M4X8	5-32, 5-52	4005337032
48	1814621	1	BRACKET	5-32, 5-52	
49	301001219	1	PLUG Ø6XØ8X5.4 PE BLACK	5-43, 5-47, 5-52, 5-55, 5-59, 5-61	4005337037
50	301001390	1	POWER CORD H07RN-F 3G1.5X6.0 SABS164	230/1/50*ZA*	4005337041
51	3821316	1	POWER CORD AWG12/3X11 SJTOW	120/1/60 *US*	4005337115
52	301001229	1	SNAP-ON CLIP 3X4QMM 400V 24A GREY	400/3/50, 220/1/60	4005337038
53	15319	1	HEXAGON NUT M4	5-32	4005337153
54	1804699	1	SCREW M5 X 6 ISO 7045 ZN		5701715029
55	3376	1	SERRATED LOCK WASHER		4005337033
56	101406054	1	SPONGE RUBBER 4 1M		5701715457
57	301002353	1	INRUSH CURRENT LIMITER 5 OHM / 5W	5-32, 5-52	4005337083
58	301001906	2	CLOSING CAP Ø12X21.5		4005337068
59		1	NOTE COMMENT	Relay-US	5701715456
61	301002165	1	CAGE CLAMP TERMINAL 5POL	5-52	4005337080

\* NOTE: 230/400/3/50 \*BE\*NO\*, 220/440/3/60 \*US\*KR\*TW\*

\*\* NOTE: 5-32, 5-47, 5-52, 5-55\*KR\*TW\*, 5-59, 5-61\*KR\*TW\*, DSS

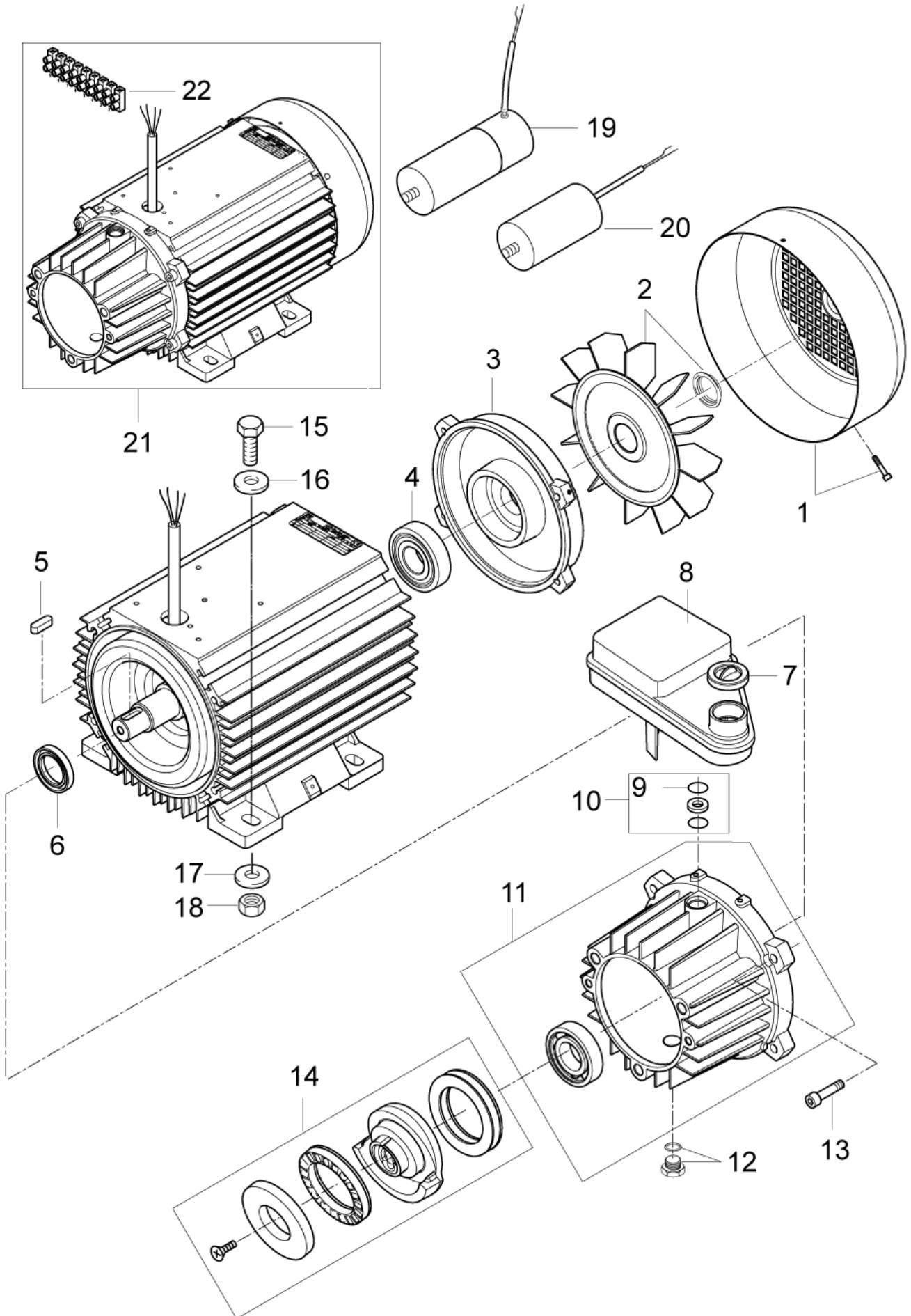
# Motor

POSEIDON 5 I03.2008->

24-05-2011

Part List ID  
POS5N02

10



# Motor

POSEIDON 5 I03.2008->

24-05-2011

Part List ID

POS5N02

11

Pos	Part no.	Qty	Description		EAN
-	101117823	1	MP SOLAR 5-45D G POS.5-55 400V/50HZ		4005337163
-	101117824	1	MP SOLAR 5-52D AND POS 5-61 400V/50HZ		4005337163
-	107144146	1	PUMP OIL NA5 1X1 LITER BOTTLE	0,6l	4005337151
1	107144126	1	FAN COVER RF	For Redflag Motor	4005337150
1	107144127	1	FAN COVER - EME	For EME Motor	4005337150
2	107144124	1	FAN W/LOCK RING - EME	For EME Motor	4005337150
2	107144125	1	FAN W LOCK RING RF	For Redflag Motor	4005337158
3	31000148	1	REAR BEARING COVER RF	For Redflag Motor	
3	31000150	1	REAR BEARING COVER EME	For EME Motor	
4	31000149	1	REAR BEARING RF	For Redflag Motor	
4	31000151	1	REAR BEARING EME	For EME Motor	
5	19639	1	PARALLEL KEY A 8X7X25		4005337196
6	G120414	1	OIL SEALING RING Ø30XØ47X7		5701715432
7	301003168	1	CAP FOR OIL CAN		4005337138
8	301002932	1	OIL CONTAINER		4005337158
9	3004221	1	O-RING 16X2 NITRIL 70 SHORE		5701715039
10	101117818	1	REP. KIT FOR OIL CONTAINER NA5		4005337161
11	107144113	1	D-BEARING COVER KIT		4005337150
12	107144135	1	OIL PLUG W/O-RING NA5 SPAREPART		4005337150
13	107144142	1	SCREW KIT PUMP NA5	contains hardware for one pump	4005337150
14	107144114	1	WOBBLE DISC 12 DEG. BEARING KIT NA5	5-61 6,7kW/230-400/3/50Hz	4005337158
14	107144115	1	WOBBLE DISC 10.9 DEG. BEARING KIT NA5	5-55 5,5kW 230-400/3/50 - 5-61 6,7kW 400/3/60	4005337158
14	107144116	1	WOBBLE DISC 10.2 DEG. BEARING KIT NA5	5-59 6,7kW/220-440/3/60Hz USA - 5-47 200/3/50Hz	4005337158
14	107144117	1	WOBBLE DISC 9.85DEG.BEARING KIT NA5	5-61 6,7kW 220-440/3/60Hz	4005337150
14	107144118	1	WOBBLE DISC 9.15DEG.BEARING KIT NA5	5-55 5,5kW 220-440/3/60Hz	4005337150
14	107144119	1	WOBBLE DISC 8.4DEG.BEARING KIT NA5	5-47 4kW 200/3/60 - 5-31 2,6kW 230/1/20	4005337150
14	107144120	1	WOBBLE DISC 7.85DEG.BEARING KIT NA5	5-32 230/1/50, 5-52 5,2kW 220/1/60Hz USA	4005337150
14	107144121	1	WOBBLE DISC 11.1 DEG. BEARING KIT NA5		4005337182
14	107144122	1	WOBBLE DISC 9.7 DEG.BEARING KIT NA5	5-52 230/1/60Hz	4005337182
14	107144123	1	WOBBLE DISC 8.7 DEG. BEARING KIT NA5	5-41 4kW 230/400/3/50Hz	4005337182
14	107144144	1	WOBBLE DISC 7.2 DEG. BEARING KIT NA5	5-41 4kW 220-440/3/60Hz	4005337182
15	32964	4	SCREW M10X30		4005337329
16	4827	4	WASHER 10.5X2.5		4005337048
17	2767	4	WASHER 10.5 X 20 X 2		4005337027
18	8952	4	HEXAGON NUT M10		4005337089
19	101118003	2	CAPACITOR 100UF KIT	UK	4005337183
20	101118002	2	CAPACITOR 70UF KIT	UK	4005337183
20	301001017	1	CAPACITOR 60MF 450V W/ FERRULES	5-31	4005337028
20	301001465	1	CAPACITOR	5-52	4005337046
21	107144128	1	MOTOR 6.7 KW 220-400/440/3 50/60HZ - EU	5-61	4005337160
21	107144129	1	MOTOR 5.5 KW 220/230-400/440/3/50/60 EU	5-55	4005337150
21	107144132	1	MOTOR 5.2KW/220/1/60 HZ NA5 RES	5-52	4005337150

# Motor

POSEIDON 5 I03.2008->

24-05-2011

Part List ID

POSSN02

12

Pos	Part no.	Qty	Description		EAN
21	107144133	1	MOTOR 4KW 230-400/220-440 3/50-60 NA5 RE	5-41, 5-47	4005337150
21	107144134	1	MOTOR 2.6KW/230/1/50 HZ NA5 RES	5-31	4005337150
21	107144148	1	MOTOR 4 KW/200/3 50/60HZ - JP RES	5-47 3x200V 60Hz, JP	4005337180
22	101117839	1	TERMINAL PLUG AND TERMINAL PINS		4005337179

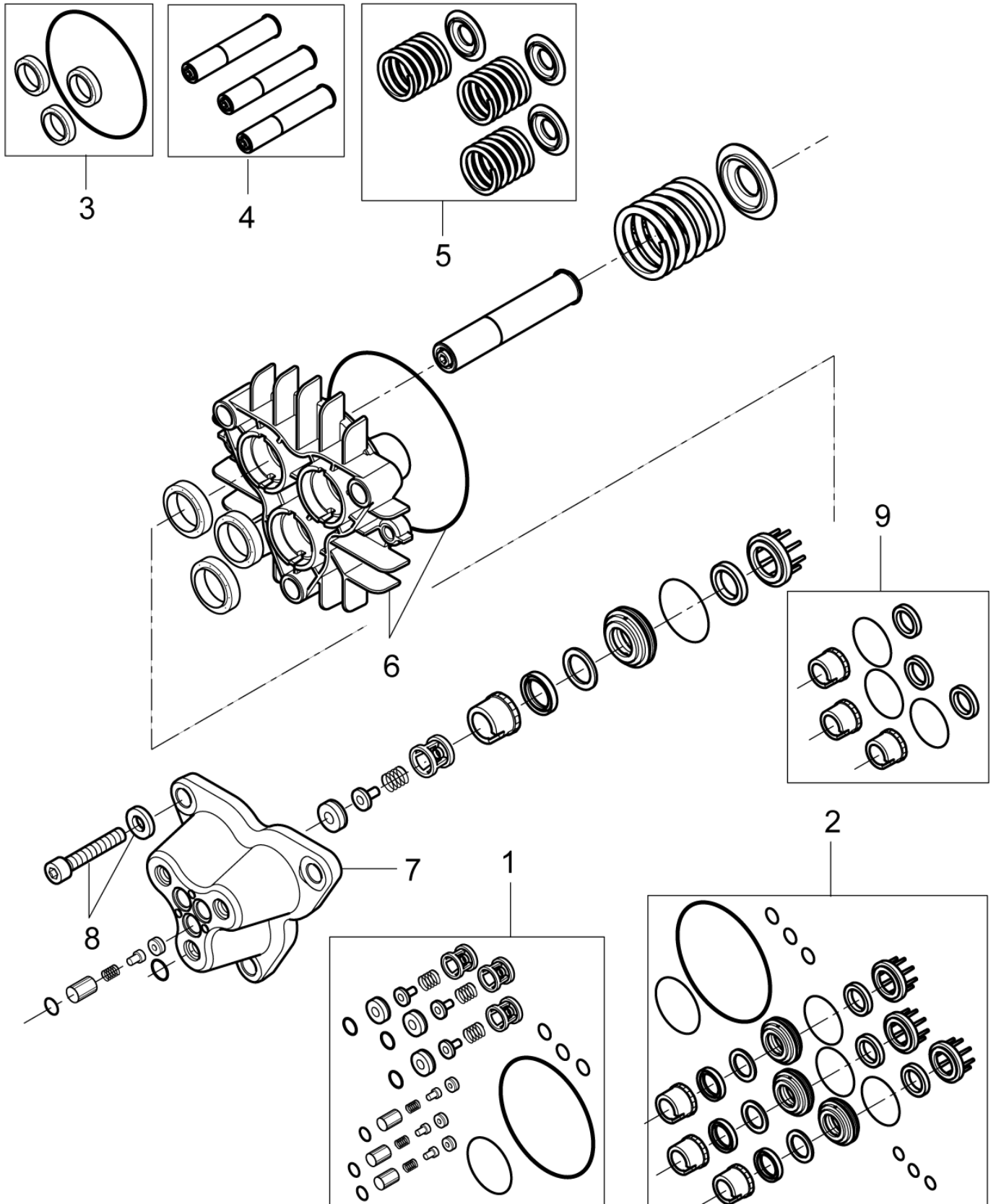
# Cylinder head

POSEIDON 5 I03.2008->

24-05-2011

Part List ID  
POS5N04

13



# Cylinder head

POSEIDON 5 I03.2008->

24-05-2011

Part List ID  
POS5N04

14

Pos	Part no.	Qty	Description	EAN
1	107144100	1	VALVE KIT - NA5	4005337150
2	107144101	1	WATER SEAL KIT - NA5 <small>See TSB MPW-095-2009</small>	4005337150
3	107144102	1	OIL SEAL KIT - NA5	4005337150
4	107144103	1	PISTON KIT - NA5	4005337150
5	107144104	1	SPRING KIT - NA5	4005337150
6	107144140	1	CYLINDER BLOCK W/O-RING NA5SPAREPART	4005337150
7	107144139	1	CYLINDER HEAD NA5 SPAREPART	4005337150
8	107144141	1	SCREW KIT CYLINDER HEAD NA5SPAREPART <small>3 PCS in kit</small>	4005337158
9	101118044	1	REP. SEAL KIT FOR NA5 PUMP	4005337186

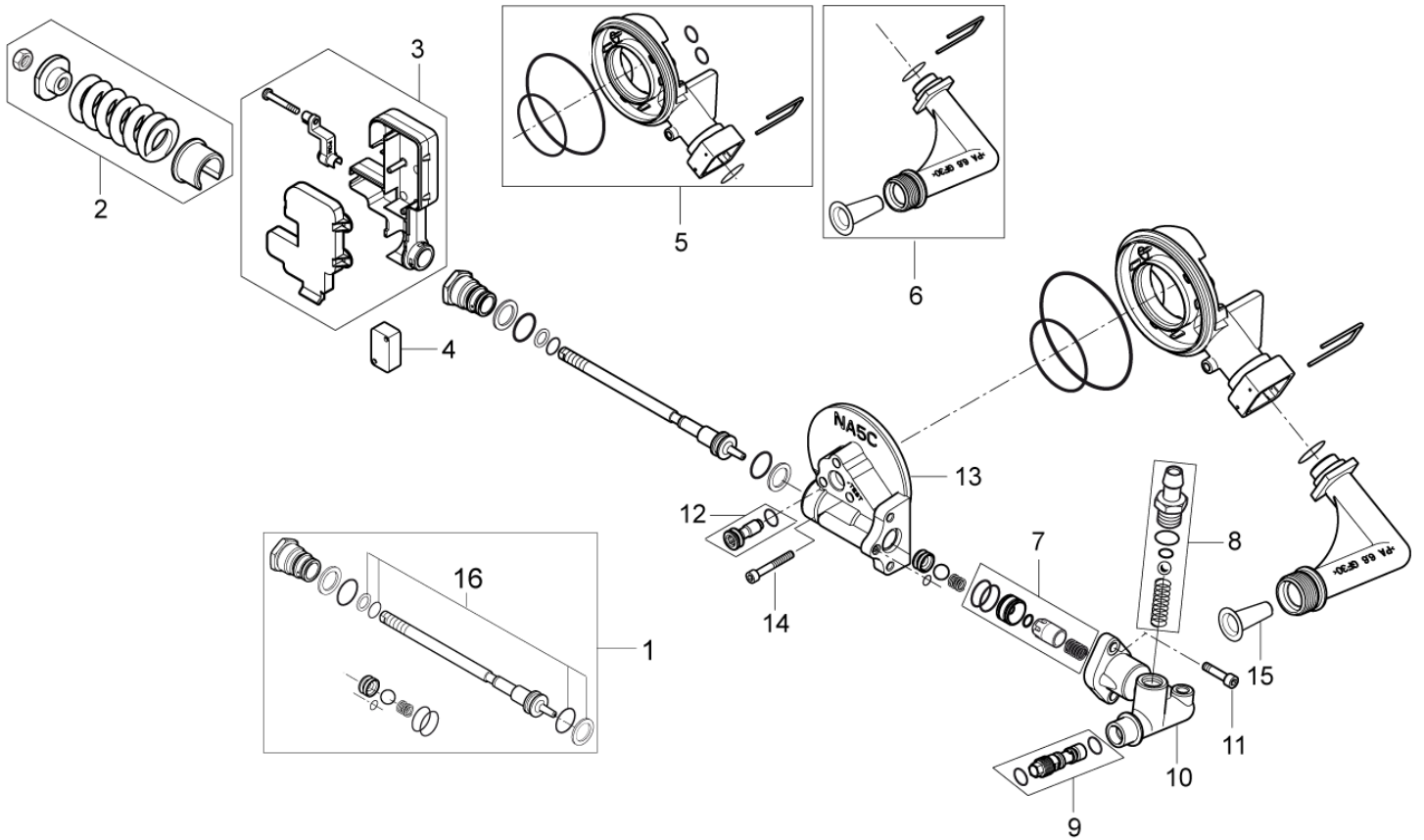
# Unloader

POSEIDON 5 I03.2008->

24-05-2011

Part List ID  
POS5N06

15



# Unloader

POSEIDON 5 I03.2008->

24-05-2011

Part List ID  
POS5N06

16

Pos	Part no.	Qty	Description	EAN
1	107144105	1	UNLOADER REP. KIT 1 - NA5	4005337150
1	107144147	1	UNLOADER REP. KIT 1 - NA5 F. DSS For POSEIDON 5 DSS	4005337151
2	107144106	1	UNLOADER REP. KIT 2 - NA5	4005337150
3	107144145	1	MICRO SWITCH CASING KIT	4005337157
4	101118011	1	END SWITCH 250V 5A W.WIRE FSH/FS 6.3 KIT 3-63	4005337184
4	301002754	1	MICRO-SWITCH	4005337120
5	107144109	1	WATER INLET KIT 1 - NA5	4005337150
6	107144110	1	WATER INLET KIT 2 - NA5	4005337150
7	107144107	1	NON RETURN VALVE KIT - NA5	4005337150
8	1119406	1	NON RETURN VALVE REP. KIT	5701715251
9	107144112	1	INJECTOR - NA5	4005337150
10	107144136	1	OUTLET FITTING NA5	4005337150
11	107144142	1	SCREW KIT PUMP NA5	4005337150
12	107144137	1	UNLOADER PLUG NA5	4005337150
13	107144138	1	UNLOADER BODY NA5	4005337150
14	107144142	1	SCREW KIT PUMP NA5 contains hardware for one pump	4005337150
15	101117926	1	FILTER	4005337177
16	107144149	1	UNLOADER REP. KIT 3 - NA5	4005337181



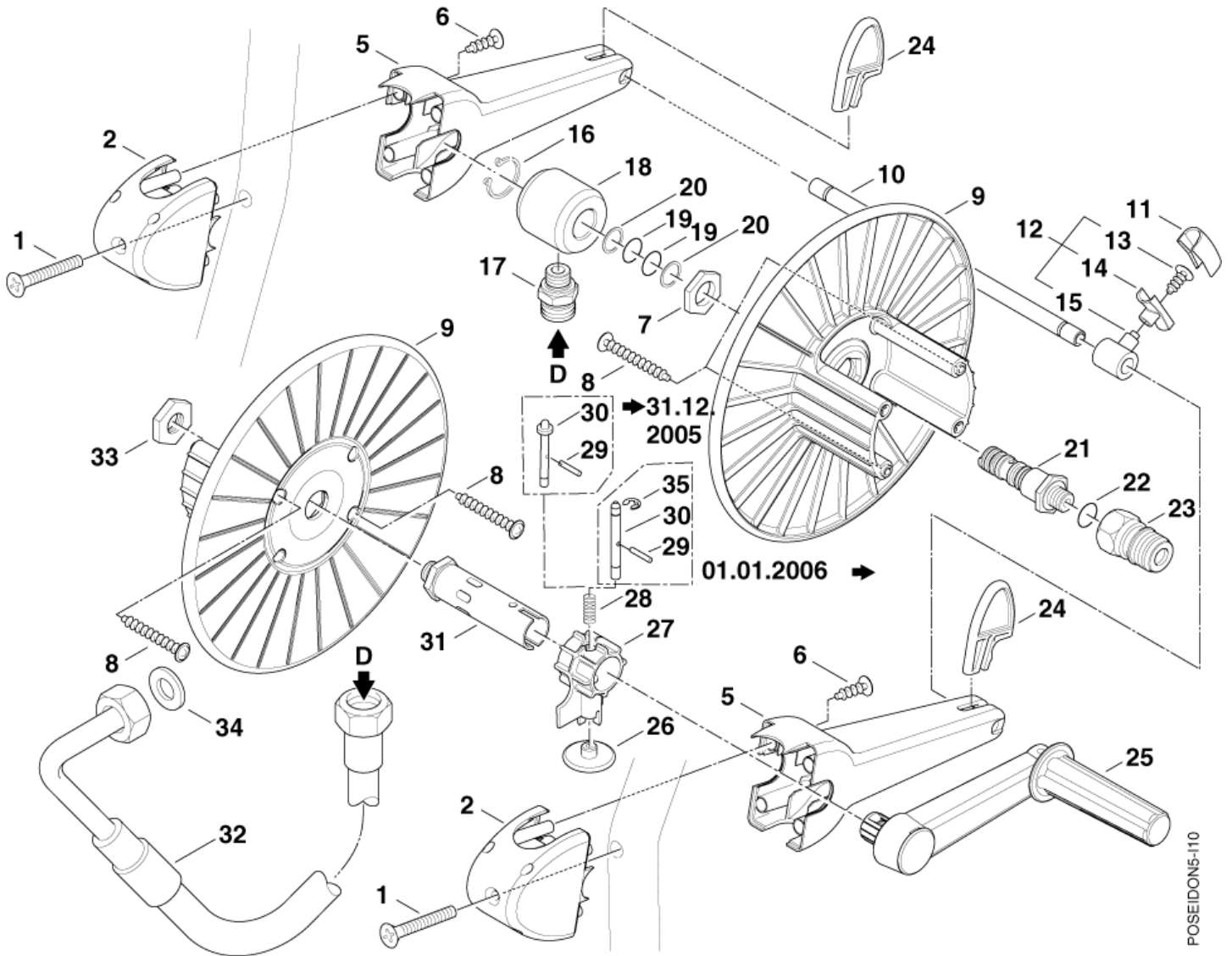
# Hose reel POSEIDON 5

POSEIDON 5 I03.2008->

24-05-2011

Part List ID  
POSEIDON510

17



POSEIDON5-110

# Hose reel POSEIDON 5

POSEIDON 5 I03.2008->

24-05-2011

Part List ID  
POSEIDON510

18

Pos	Part no.	Qty	Description	EAN
0	301001310	1	HOSE REEL KIT	4005337040
1	909100154	2	SCREW M6X45 ISO 7047	4005337033
2	301000809	2	BRACKET 106X94X60 F. HOSE REEL W. RECOIL	4005337024
5	301000929	2	BRACKET 224X94X60 F. HOSE REEL W. RECOIL	4005337025
6	1814641	4	SCREW SELF TAPPING 4.9X30	5701715268
7	62696	1	HEXAGON NUT M24X1.5X6	4005337626
8	909100153	4	SCREW 6X40	4005337032
9	301000775	2	HOSE DRUM SECTION	4005337024
10	107140355	1	GUIDE PIPE Ø12X315	4005337157
11	301000674	1	HOSE GUIDE SECTION - UPPER 70X31.7X28.5	4005337021
12	301000780	1	HOSE GUIDE 70X40	4005337022
13	10028	1	SCREW 5X14	4005337100
14	301000676	1	HOSE GUIDE SECTION LOWER	4005337021
15	301000672	1	HOSE GUIDE SLEEVE 33,2X2	4005337021
16	32524	1	RETAINING RING 20X1.2	4005337325
17	54590	1	FITTING XGE12L 1/4NPT	4005337545
18	301000977	1	BEARING BUSH	4005337026
19	19620	2	O-RING 15.54x2.62 DIN 3771 NBR70	4005337196
20	63792	2	SUPPORTING RING Ø16.26X2.18	4005337637
21	301000976	1	HOLLOW SCREW G3/8	4005337026
22	1801075	1	PACKING RING Ø 23,8X Ø 17,2	5701715027
23	1600493	1	NIPPLE F. Q-COUPPL. 3/8IN HP	5701715023
24	301000927	2	BRACKET 64X40X9 FOR CORD	4005337025
25	301000733	1	CRANK 190X175X45	4005337022
26	301001008	1	Knob Ø40x18 M6	4005337028
27	301001010	1	HOUSING	4005337028
28	909100151	1	SPRING 1.0 X 9.0 X19	4005337028
29	16067	1	PIN 3X14	4005337160
30	301001009	1	INDEXING BOLT Ø12X60	4005337028
31	301001007	1	AXLE 28X116	4005337028
32	301001092	1	HP HOSE 8X1175	4005337031
33	909100145	1	HEXAGON NUT G 3/8X6	4005337026
34	65466	1	PACKING RING 8X15X1	4005337654
35	1806538	1	LOCK WASHER	4005337112

# Default accessories

POSEIDON 5 I03.2008->

24-05-2011

Part List ID  
POS522

19

No Drawing For Part List

# Default accessories

POSEIDON 5 I03.2008->

24-05-2011

Part List ID  
POS522

20

Pos	Part no.	Qty	Description		EAN
-	106402291	1	TURBOHAMMER PLUS 1125 STRAIGHT W11 0500		4005337167
-	106402292	1	TURBOHAMMER PLUS 1125 STRAIGHT W11 0550		4005337167
-	106403010	1	TORNADO PLUS 1120 BEND W/O NOZZLE		4005337167
-	106403122	1	ERGO 2000 STANDARD W. HOSE SWIVEL		4005337168
-	106403123	1	ERGO 2000 VARIO PRESS W. HOSE SWIVEL		4005337168
0	101119484	1	REP. KIT SWIVEL JOINT	5-41, 5-47, 5-55, 5-61	5701715295
0	101119738	1	NOZZLE 0400 INDICATION RING METAL GREY	5-41 5-41	5701715324
0	101119741	1	NOZZLE 0500 INDICATION RING YELLOW	5-47, 5-55	5701715324
0	101119742	1	NOZZLE + INDICATION RING 0530	5-61	5701715324
0	101119743	1	NOZZLE + INDICATION RING 0550	5-31, 5-32	5701715324
0	101119749	1	NOZZLE 0750 INDICATION RING RED	5-63	5701715329
0	101405770	1	10 M WIRE HOSE 5/16 DN8	5-31, 5-32, 5-41, 5-47, 5-55, 5-61	5701715330
0	301001100	1	HP-HOSE DN8X15M	5-31XT, 5-32XT, 5-41XT, 5-55XT, 5-61XT, 5-63XT	4005337031
0	301001310	1	HOSE REEL KIT	5-31XT, 5-32XT, 5-41XT, 5-55XT, 5-61XT, 5-63XT	4005337040
1	106402120	1	TORNADO 3000 LANCE 1040 W/O NOZZLE	5-41, 5-47, 5-55, 5-61	5701715324
1	106402140	1	FLEXOPOWER 3000 LANCE 1070 W/O NOZZLE		5701715324
1	106402172	1	TURBOHAMMER 0700 W11 3000 LANCE 1070	5-63 XT	5701715324
1	106402175	1	TURBOHAMMER 0550 W11 3000 LANCE 1070	5-31XT, 5-61XT	5701715329
1	106402291	1	TURBOHAMMER PLUS 1125 STRAIGHT W11 0500	5-41XT, 5-55XT	4005337167
1	301002410	1	ERGO 1000	5-31	4005337088
1	301002411	1	SPRAY GUN ERGO 1000 VARIOPRESS	5-41, 5-55, 5-61	4005337090

# Recommended spare parts

POSEIDON 5 I03.2008->

24-05-2011

Part List ID

POS5N16

21

No Drawing For Part List

# Recommended spare parts

POSEIDON 5 I03.2008->

24-05-2011

Part List ID  
POS5N16

22

Pos	Part no.	Qty	Description		EAN
A	101117818	1	REP. KIT FOR OIL CONTAINER NA5	A	4005337161
A	101117926	1	FILTER	A	4005337177
A	107144100	1	VALVE KIT - NA5	A	4005337150
A	107144101	1	WATER SEAL KIT - NA5	A	4005337150
A	107144102	1	OIL SEAL KIT - NA5	A	4005337150
A	3004221	1	O-RING 16X2 NITRIL 70 SHORE	A	5701715039
B	107144103	1	PISTON KIT - NA5	B	4005337150
B	107144104	1	SPRING KIT - NA5	B	4005337150
B	107144105	1	UNLOADER REP. KIT 1 - NA5	B	4005337150
B	107144112	1	INJECTOR - NA5	B	4005337150
B	107144147	1	UNLOADER REP. KIT 1 - NA5 F. DSS	B	4005337151
C	101118002	1	CAPACITOR 70UF KIT	C	4005337183
C	101118003	1	CAPACITOR 100UF KIT	C	4005337183
C	101118011	1	END SWITCH 250V 5A W.WIRE FSH/FS 6.3 KIT	C	4005337184
C	103822303	1	CONTACTOR CJX2-1810 N7 400V	C	4005337165
C	103822304	1	CONTACTOR CJX2-D18-P7 230V	C	4005337178
C	103822309	1	CONTACTOR CJX2-D25-P7 230V	C	4005337178
C	103822310	1	CONTACTOR CJX2-D25-M7 200V	C	5715492057
C	103822311	1	CONTACTOR CJX2-D25-F7 110V	C	5715492057
C	103822315	1	CONTACTOR CJX2-D32-M7 220V	C	4005337165
C	107144107	1	NON RETURN VALVE KIT - NA5	C	4005337150
C	107144109	1	WATER INLET KIT 1 - NA5	C	4005337150
C	107144110	1	WATER INLET KIT 2 - NA5	C	4005337150
C	107144113	1	D-BEARING COVER KIT	C	4005337150
C	107144114	1	WOBBLE DISC 12 DEG. BEARING KIT NA5	C	4005337158
C	107144115	1	WOBBLE DISC 10.9 DEG. BEARING KIT NA5	C	4005337158
C	107144116	1	WOBBLE DISC 10.2 DEG. BEARING KIT NA5	C	4005337158
C	107144117	1	WOBBLE DISC 9.85DEG.BEARING KIT NA5	C	4005337150
C	107144118	1	WOBBLE DISC 9.15DEG.BEARING KIT NA5	C	4005337150
C	107144119	1	WOBBLE DISC 8.4DEG.BEARING KIT NA5	C	4005337150
C	107144120	1	WOBBLE DISC 7.85DEG.BEARING KIT NA5	C	4005337150
C	107144121	1	WOBBLE DISC 11.1 DEG. BEARING KIT NA5	C	4005337182
C	107144122	1	WOBBLE DISC 9.7 DEG.BEARING KIT NA5	C	4005337182
C	107144123	1	WOBBLE DISC 8.7 DEG. BEARING KIT NA5	C	4005337182
C	107144128	1	MOTOR 6.7 KW 220-400/440/3 50/60HZ - EU	C	4005337160
C	107144129	1	MOTOR 5.5 KW 220/230-400/440/3/50/60 EU	C	4005337150
C	107144132	1	MOTOR 5.2KW/220/1/60 HZ NA5 RES	C	4005337150
C	107144133	1	MOTOR 4KW 230-400/220-440 3/50-60 NA5 RE	C	4005337150
C	107144134	1	MOTOR 2.6KW/230/1/50 HZ NA5 RES	C	4005337150
C	107144144	1	WOBBLE DISC 7.2 DEG. BEARING KIT NA5	C	4005337182
C	107144148	1	MOTOR 4 KW/200/3 50/60HZ - JP RES	C	4005337180
C	11060	1	STARTER RELAY 220V AC	C	4005337110

# Recommended spare parts

POSEIDON 5 I03.2008->

24-05-2011

Part List ID  
POS5N16

23

Pos	Part no.	Qty	Description		EAN
C	1119406	1	NON RETURN VALVE REP. KIT	c	5701715251
C	301000074	1	RESISTOR 470 OHM 3W	c	4005337008
C	301000402	1	RESISTANCE 15KOHM/7W	c	4005337680
C	301000952	1	END SWITCH 250V 0.1A W. WIRE 2X0.25 JST	c	4005337026
C	301000953	1	END SWITCH 250V 5A W.WIRE FSH/FS 6.3	c	4005337026
C	301001017	1	CAPACITOR 60MF 450V W/ FERRULES	c	4005337028
C	301001056	1	STARTING CAPACITOR 98MF 330V W/O BOLT	c	4005337030
C	301001058	1	CAM SWITCH 0-1 10A 400VAC	c	4005337030
C	301001092	1	HP HOSE 8X1175	c	4005337031
C	301001104	1	ELECTRONICS F. COLD WATER W. MICROSWITCH	c	4005337032
C	301001465	1	CAPACITOR	c	4005337046
C	301002353	1	INRUSH CURRENT LIMITER 5 OHM / 5W	c	4005337083
C	301002754	1	MICRO-SWITCH	c	4005337120
C	31000149	1	REAR BEARING RF	c	
C	31000151	1	REAR BEARING EME	c	
C	64773	1	AUXILIARY CONTACT 100-SBL11	c	4005337647