

**KIT RICAMBI – SPARE KITS**

PISTONE - PISTON Ø18

PISTONE - PISTON Ø20

PISTONE - PISTON Ø22

PISTONE - PISTON Ø24

W3021 – W2525 – W3025 - W2030
W2035 - W2141 - T3025 – T2530 - T2830
T2535 - T2040 - T1750

KIT Nr.	KIT 2	KIT 3	KIT 169	KIT 180	KIT 176	KIT 170	KIT 171	KIT 172	KIT 173	KIT 181	KIT 182
Posizioni include Positions included	51	39	3 - 4 4 - 5 6 (10)	44 - 46	42 - 43 44 - 45 46	44 - 46	42 - 43 44 - 45 46	44 - 46	42 - 43 44 - 45 46	44 - 46	42 - 43 44 - 45 46
Nr. Pcs.	3	2	6	3	1	3	1	3	1	3	1

PISTONE - PISTON Ø 18

PISTONE - PISTON Ø 20

W3021 - T3025

W2525 – W3025
T2530 – T2535 - T2830

PISTONE - PISTON Ø 22

PISTONE - PISTON Ø 24

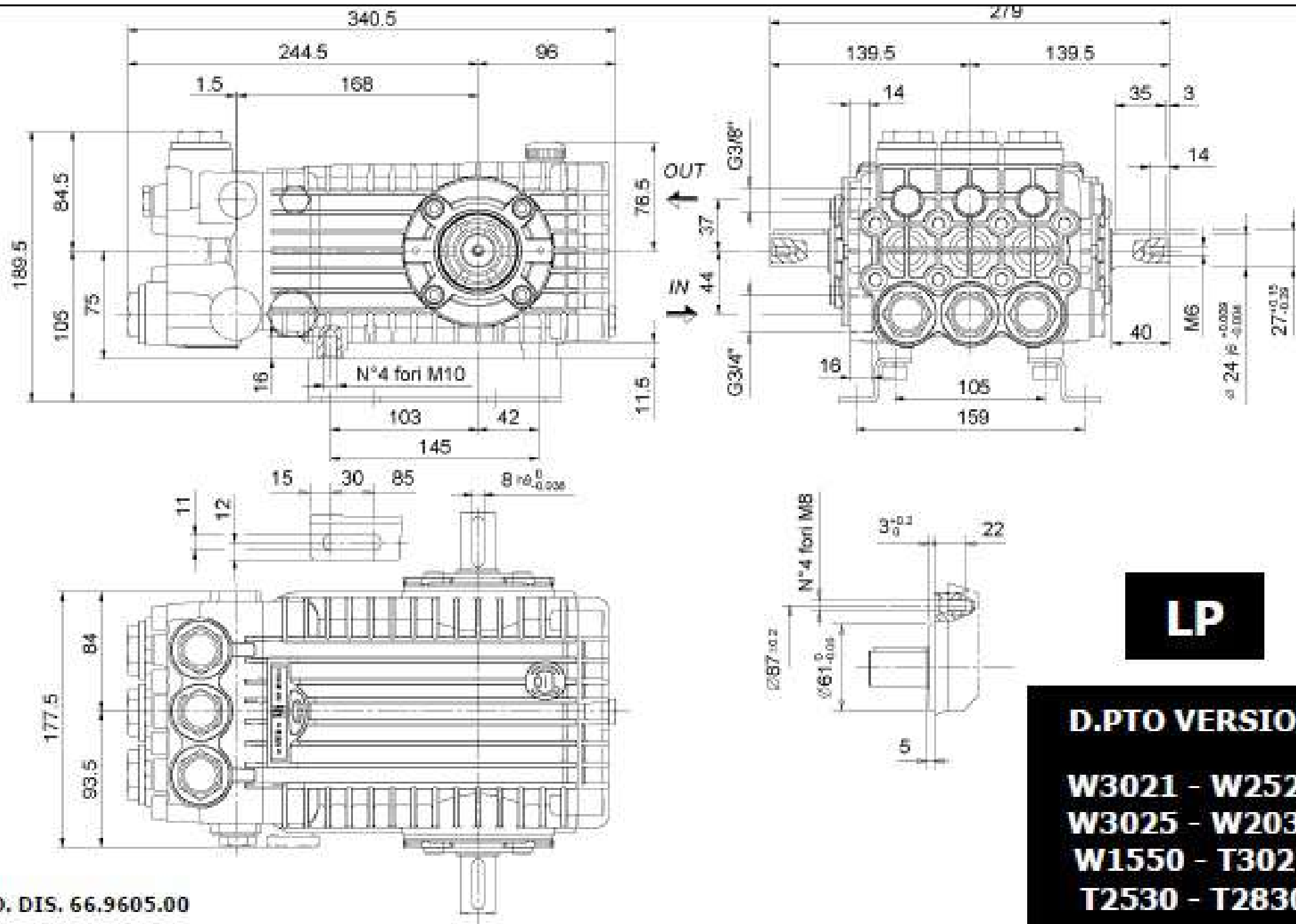
W2030 – W2035 - T2040

W2141 - T1750

POS	COD.	DESCRIZIONE – DESCRIPTION - KIT	NR
1	66.1245.41	Testata Ø 18	1
	66.1200.41	Testata Ø 20	1
	66.1201.41	Testata Ø 22	1
	66.1202.41	Testata Ø 24	1
2	99.3801.00	Vite M10x90 UNI 5931	8
3	90.3857.00	OR Ø 23.81x2.62 (132)	169 12
4	36.2033.66	Sede valvola sferica	169 6
5	36.2034.76	Valvola	169 6
6	94.7388.00	Molla Ø 10x18.5	169 6
7	36.2035.51	Guida valvola	169 6
8	90.5165.00	Anello antiest. Ø 24.7x29x1.5	6
9	66.1300.41	Tappo M32x1.5x29.5	6
10	36.7127.01	Gruppo valvola aspiraz. / mand.	169 6
11	99.3039.00	Vite M8x16 UNI 5931	8
12	47.1512.22	Coperchio cuscinetto lato spia	1
13	90.3913.00	OR Ø 67.95x2.62 (3268)	2
14	90.3877.00	OR Ø 39.34x2.62 (3156)	1
15	70.2118.01	Spia livello olio	1
16	90.0756.00	Anello seeger Ø 45	1
17	91.8380.00	Cuscinetto a rulli NJ 2206 EC	2

POS	COD.	DESCRIZIONE – DESCRIPTION - KIT	NR
18	66.0100.22	Carter pompa	1
19	98.2106.00	Tappo carico olio G 3/8"	1
20	66.0200.35	Albero – W2525-W2030-W3021-W3025 T2530-T3025-T2830	1
	66.0204.35	Albero – W2035-W2141-T2535-T2040-T1750	1
21	91.4892.00	Linguetta 9x7x35 UNI 6604	1
22	66.0300.01	Biella completa	3
23	90.3922.00	OR Ø 133.02x2.62 (3525)	1
24	66.1600.22	Coperchio posteriore	1
25	99.1884.00	Vite M6x20 UNI 5931	4
26	90.4051.00	OR Ø 26.58x3.53 (4106)	1
27	63.2100.51	Spia livello olio	1
28	98.2042.50	Tappo G 1/4"x9 TE17 – ZInc.	1
29	90.3585.00	OR Ø 10.82x1.78 (2043)	4
30	99.3099.00	Vite M8x35 UNI 5931	6
32	97.7405.00	Spinotto Ø 14x39	3
33	66.0500.66	Guida pistone	3
34	96.7101.00	Rosetta Ø 10x28x0.5	3
	66.0403.09	Pistone Ø 18x54	3
	66.0400.09	Pistone Ø 20x54	3
	66.0401.09	Pistone Ø 22x54	3
35	66.0404.09	Pistone Ø 24x54	3
	90.3584.00	OR Ø 10.82x1.78 (2043) - 90 Sh.	3
36	90.3584.00	OR Ø 10.82x1.78 (2043) - 90 Sh.	3
37	66.2195.66	Vite fissaggio pistone	3
38	47.1510.22	Coperchio cuscinetto aperto	1
39	90.1648.00	Anello rad. Ø 30x55x7	3 1

POS	COD.	DESCRIZIONE – DESCRIPTION - KIT	NR
40	90.3833.00	OR Ø 13.95x2.62 (3056)	1
41	98.2100.50	Tappo G 3/8"x13 TE22 – Zinc.	1
42	66.0803.70	Anello di fondo Ø 18	176 3
	66.0800.70	Anello di fondo Ø 20	171 3
	66.0801.70	Anello di fondo Ø 22	173 3
	66.0804.70	Anello di fondo Ø 24	182 3
43	90.3616.00	OR Ø34.65x1.78 (2137)171-173-176-182	3
44	90.2652.00	Anello tenuta Ø18x26x6.5 LP	180-176 3
	90.2690.00	Anello tenuta Ø20x28x6.5 LP	170-171 3
	90.2715.00	Anello tenuta Ø22x30x6.5 LP	172-173 3
	90.2738.00	Anello tenuta Ø24x32x6.5 LP	181-182 3
45	66.2163.70	Anello intermedio Ø 18	176 3
	66.2160.70	Anello intermedio Ø 20	171 3
	66.2161.70	Anello intermedio Ø 22	173 3
	66.2164.70	Anello intermedio Ø 24	182 3
46	90.2655.00	Anello tenuta Ø18x28x10 HP	180-176 3
	90.2692.00	Anello tenuta Ø20x30x10 HP	170-171 3
	90.2717.00	Anello tenuta Ø22x32x10 HP	172-173 3
	90.2741.00	Anello tenuta Ø24x34x10 HP	181-182 3
47	47.2000.74	Piedino fissaggio pompa	2
48	96.7106.00	Rosetta Ø 10.2 DIN 7980	4
49	99.3644.00	Vite M10x18 UNI 5931	4
50	90.9126.00	Boccola Ø 22x25x30	3
51	90.1625.00	Anello rad. Ø 22x32x5.5	2 3
52	96.7380.00	Rosetta Ø 17.5x23x1.5	1
53	96.7700.00	Rosetta Ø 26.5x32x1.5	1
54	98.2268.00	Tappo G 3/4"x16	1
55	98.2043.00	Tappo G 1/4"x13	3
56	98.2100.00	Tappo G 3/8"x13	1



LP

D.P.T.O VERSION

W3021 - W2525

W3025 - W2030

W1550 - T3025

T2530 - T2830

COD. DIS. 66.9605.00